



Technical Data

Specification & Capacities

JF235



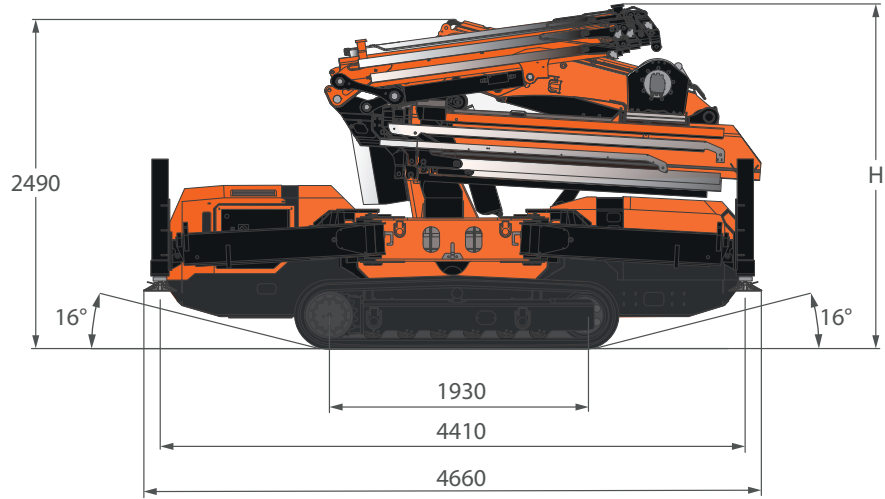
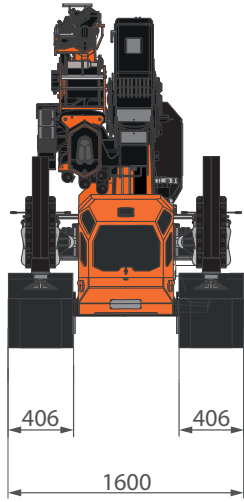
EN 12999:2020

06.12.2023 | Rev0.2

[m] [kg]

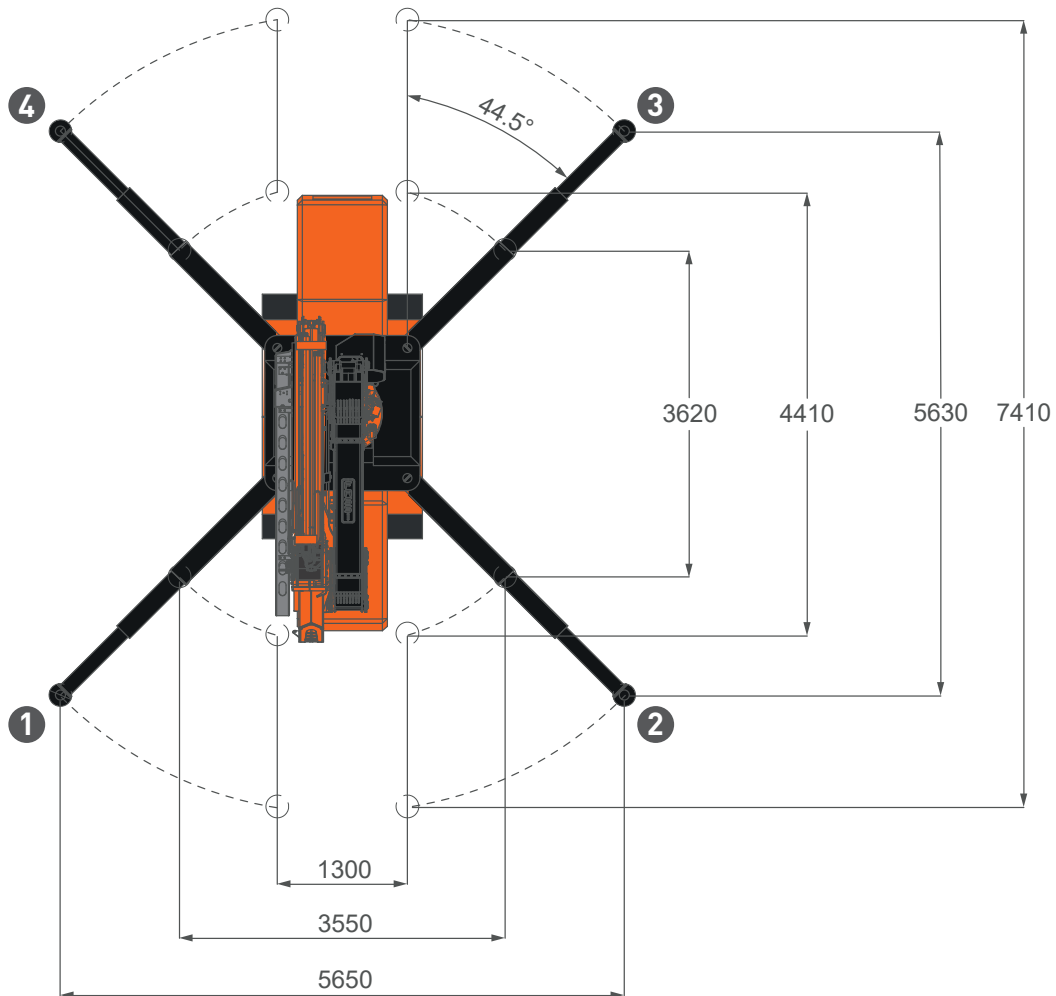
OVERALL DIMENSIONS

(with jib and low marking pads)



H	WITH ACTIVATION	2800
	W/O ACTIVATION	2630


STABILIZATION AREA



[mm]

OVERALL INFORMATIONS


	NAME		DESCRIPTION	U.M	VALUE
CRANE INFO		OVERALL DIMENSIONS	Height	mm	2.800
			Length		4.750
			Width		1.600
		BOOM	Length	m	12,7
			Speed	s	27
		SLEWING	Angle	°	360°
			Speed	rpm	1,5
		LIFTING	Working Angle	°	82
			Speed	s	Primary: 16 Secondary: 19
			Max Capacity	kg	6.150
			Max Outrigger Bearing Load	kg	10.150 [†]
			Track load	kg/cm ²	4,4
			Travel Speed	Slow	km/h
Fast				1,8	
Kickdown				2,3	
		Gradeability	°	-	
		Working Temperature	°C	-20°/+40°	







WEIGHT		CRANE	JF235	kg	9.470*
--------	-------------------------------------------------------------------------------------	-------	-------	----	--------



*: Dry weight


†: In maximum stability condition

JF235 Overall Informations

HOOKBLOCKS		HOOK BLOCK	Single Fall	kg	20
			Double Fall	kg	49
			Single Fall Jib	kg	74

ACCESSORIES		JIB	JIBL214	With activation	kg	770
				Without activation	kg	700
		MANUAL EXTENSIONS	P	kg	85	
			Q	kg	70	
			R	kg	45	
			PL	kg	21	
		LOW MARKING PADS	WTP-JFM (x76)	kg	190	
		OUTRIGGERS MATS	OM500 (x4)	kg	92	
	POWERPACK	3-Phase Power pack	kg	80		
	PLE	MWP-1PG.JIB2500.4HA	kg	110		
		MWP-2PG.JIB2500.4HA	kg	136		
		MWP-2PGR.JIB2500.4HA	kg	150		

ENGINE		DIESEL ENGINE	Power	kW	33
			Horse Power	HP	44,9
			Tank capacity	L	52
		ELECTRIC	Voltage	V	400
			Power	kW	13,5

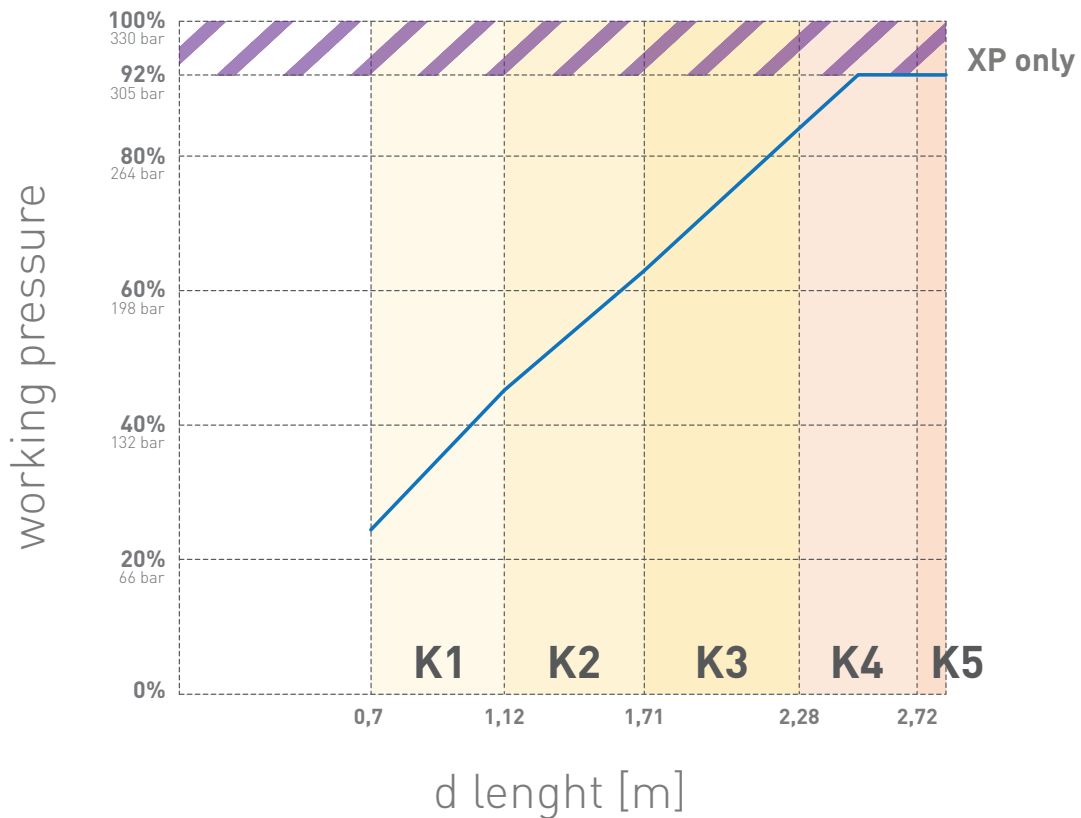
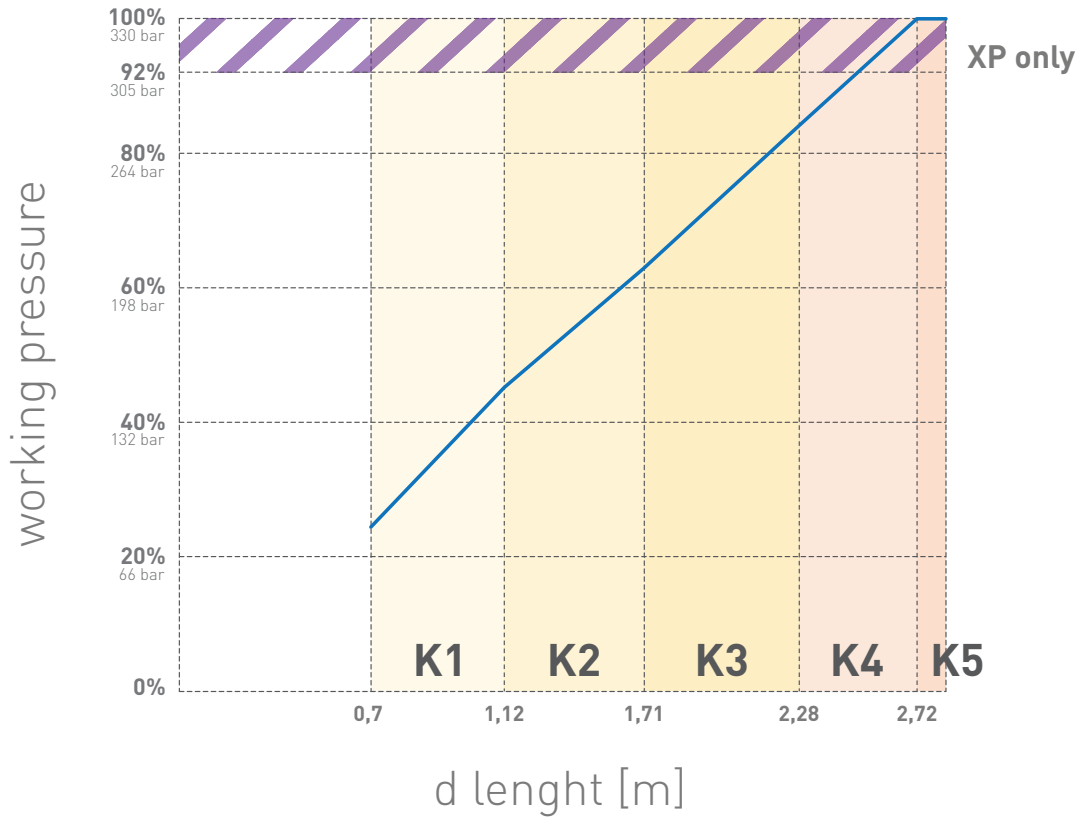
HYDRAULIC SYSTEM		Working Pressure		bar	330	
		Tank Capacity		L	120	
		OIL	Type		Mineral	ISO 6743-4:HV
			Viscosity Grade		VG	46
		DIESEL MAIN PUMP	Type		Variable flow Pump LS	
			Displacement		cm ³ /rev	28
			Max Oil Flow		L/min	80
		ELECTRIC MAIN PUMP	Type		Variable flow Pump LS	
			Displacement		cm ³ /rev	45
			Max Oil Flow		L/min	60

WINCH PERFORMANCE

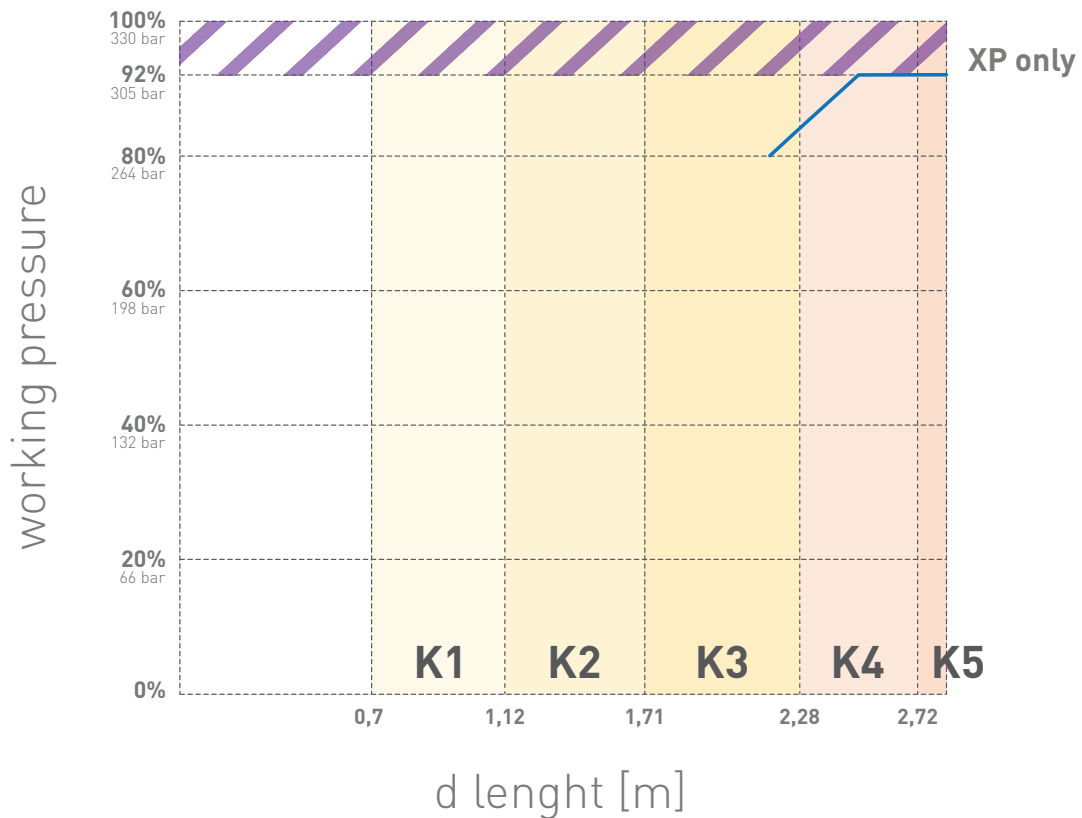
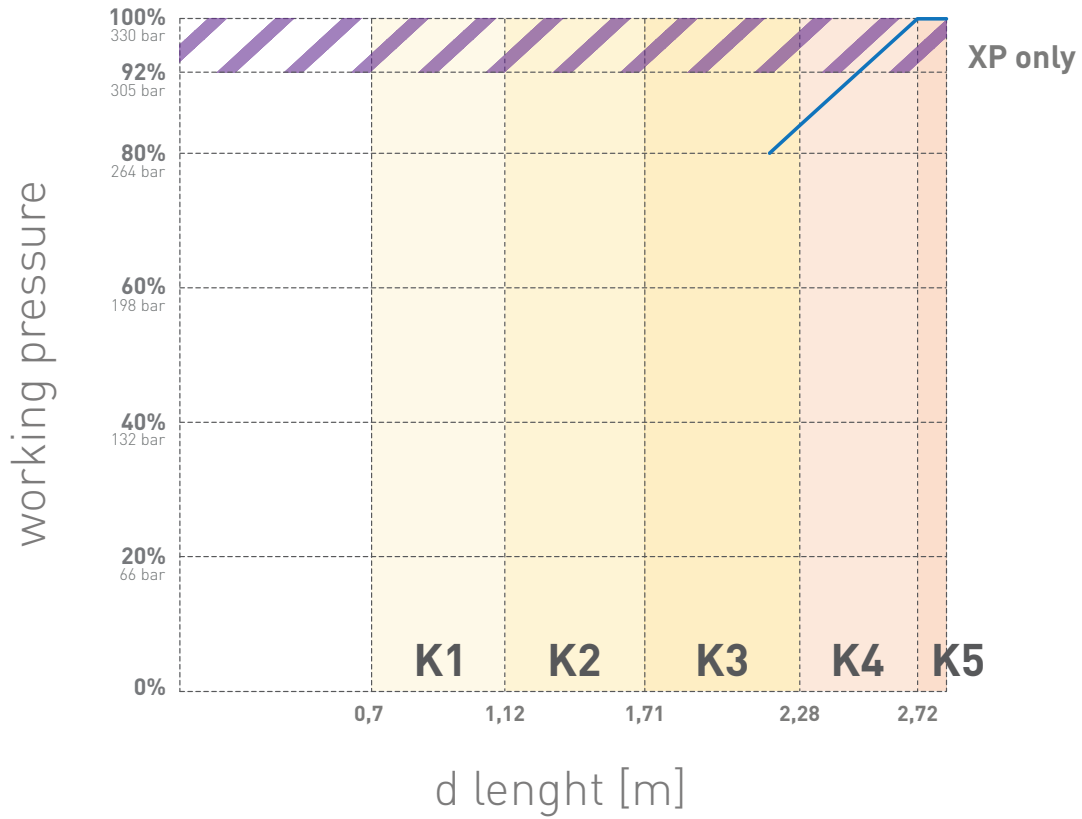
WINCH	Layer	Max pull line	Standard rope speed
		daN	m/min
	1	2.000	39,2
	4	1.556	50,3
ROPE	Wire rope	Max load	Total length
		daN	m
	19x10 right lang lay Non rotating	1.696	10

HOOK BLOCK	Block type	Load	N° of	
			Sheaves	Lines
			kg	
	Double fall block	3.000	1	2
	Single fall block	1.500	-	1

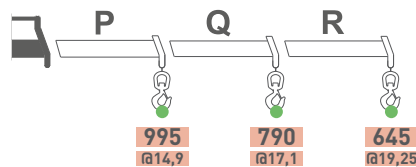
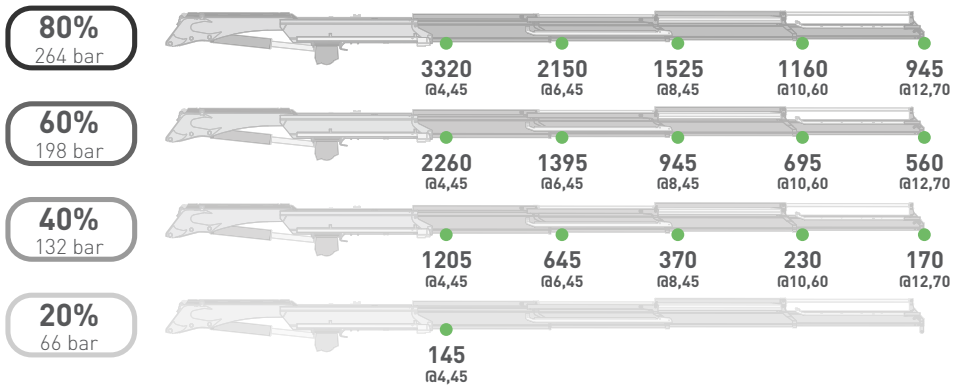
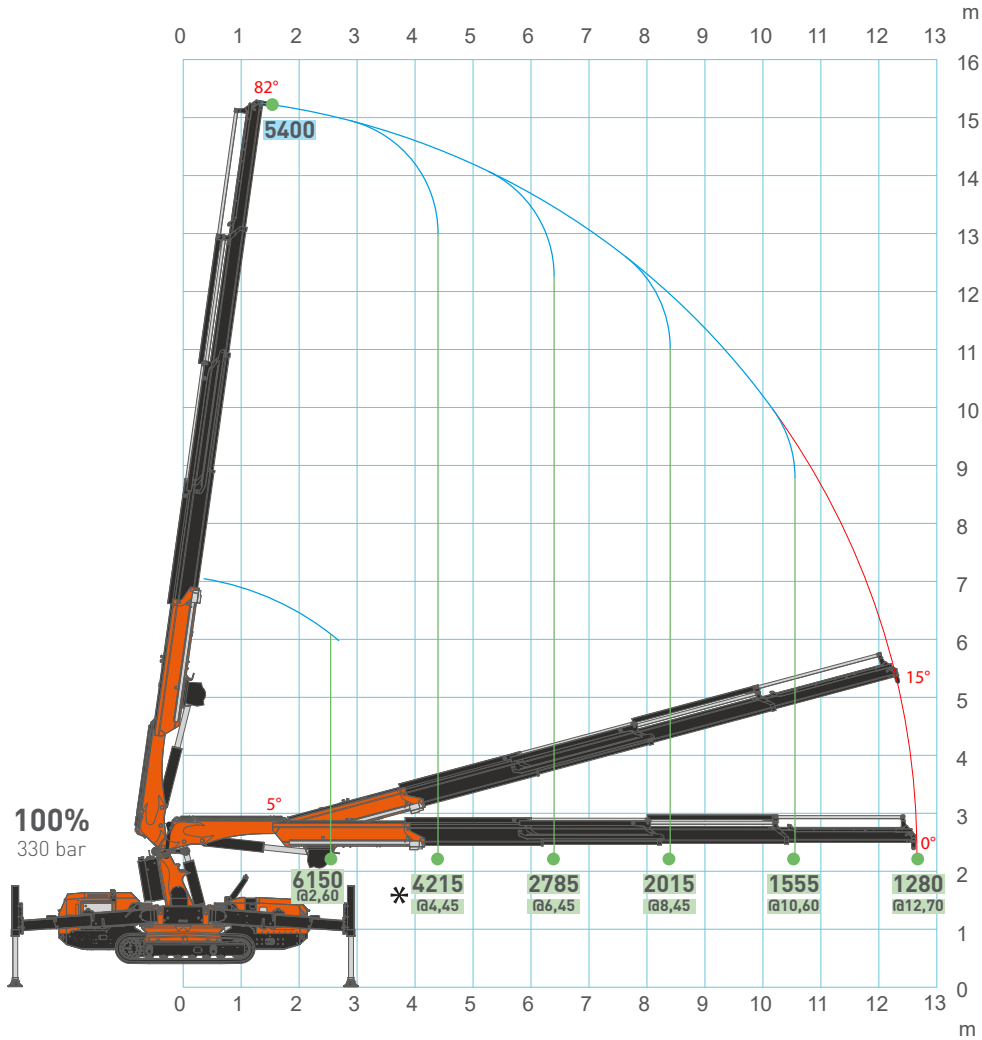
JF235 - MAIN BOOM



JF235 - JIB

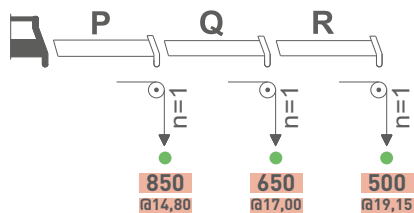
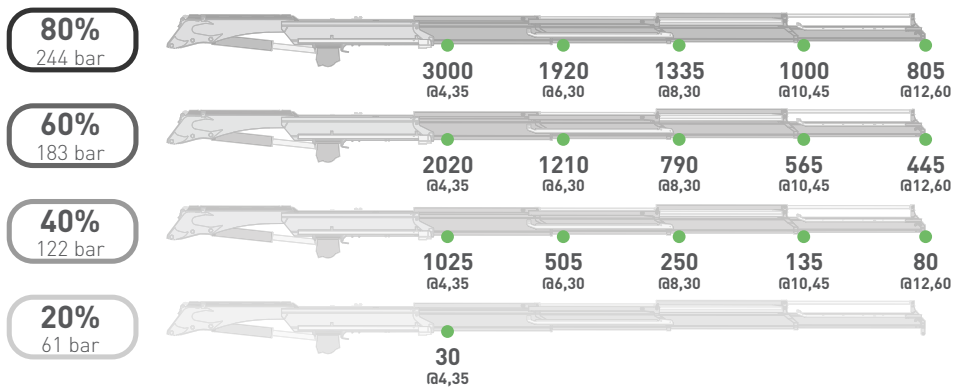
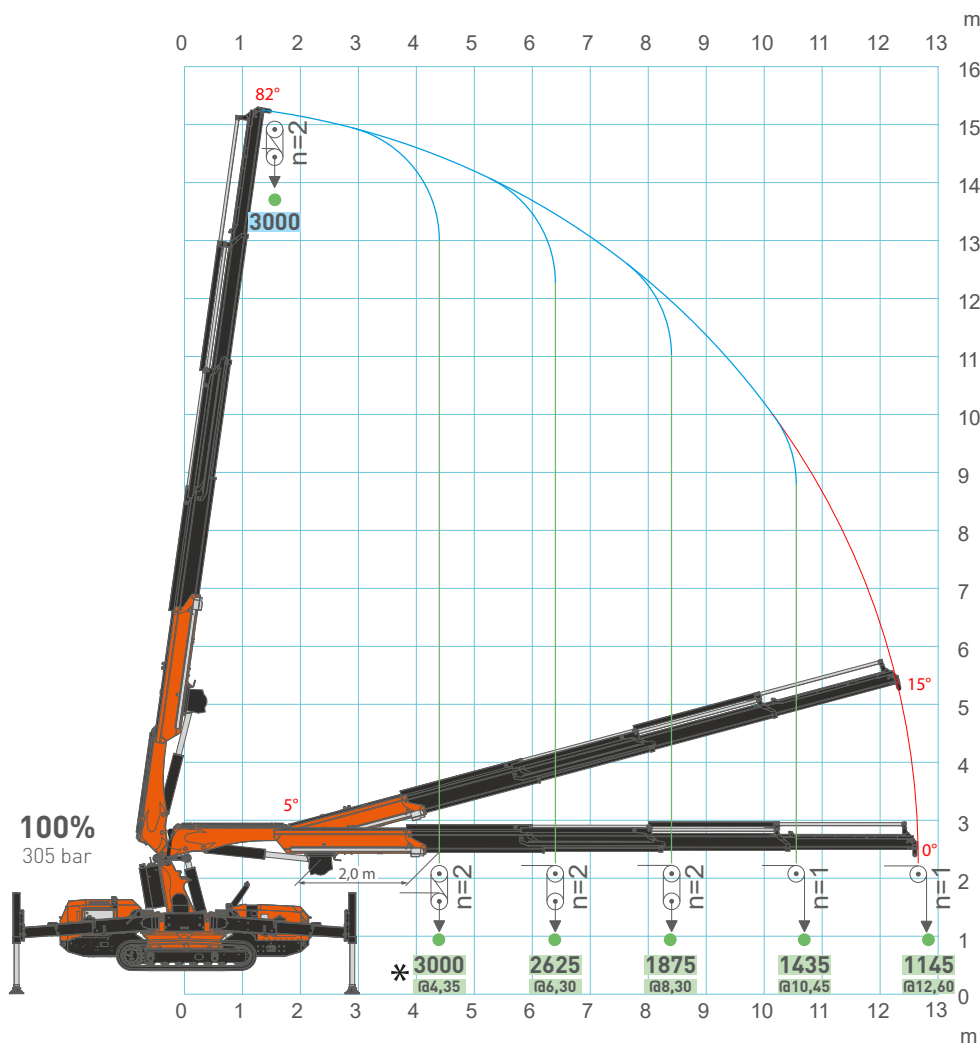


JF235 - MAIN BOOM



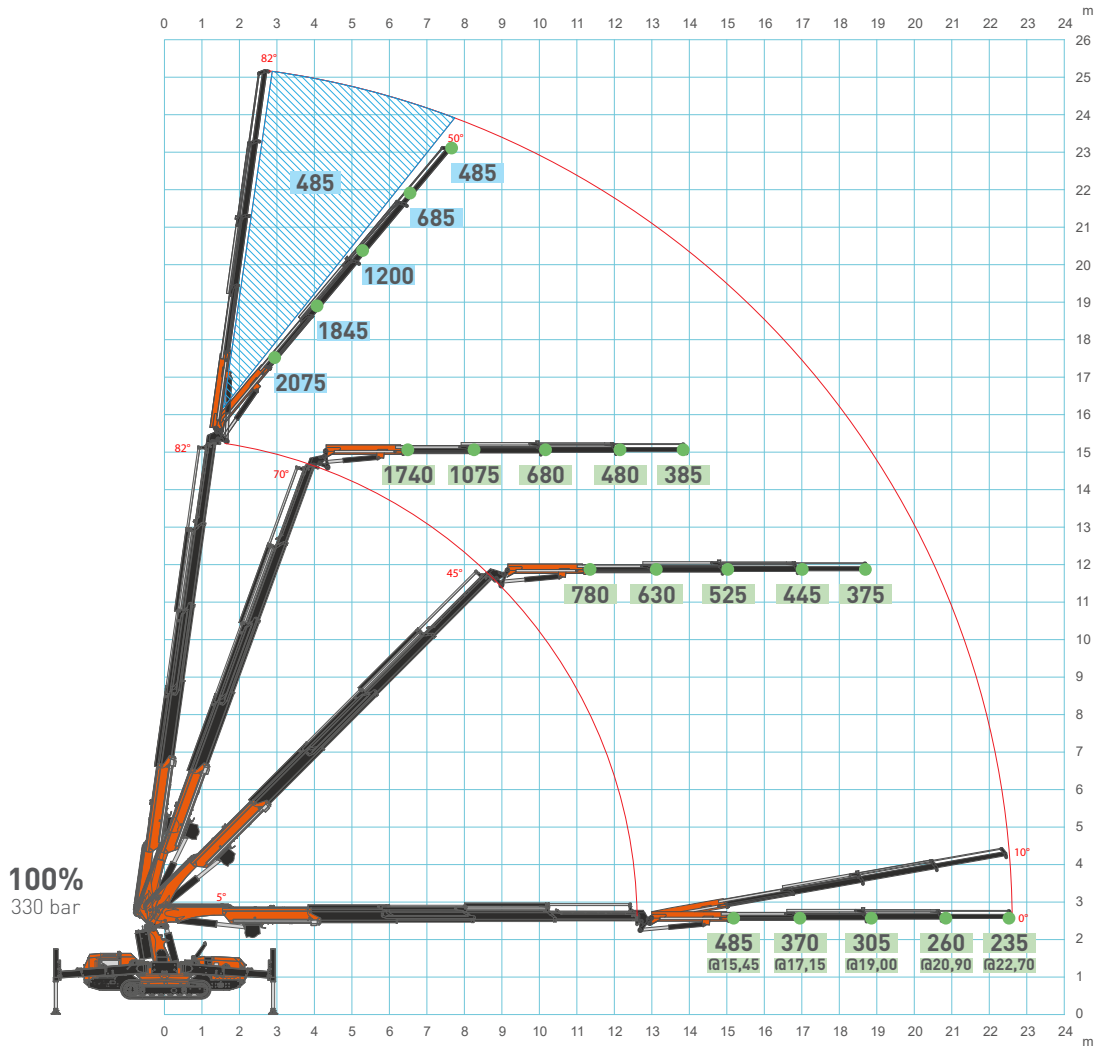
[m] [kg]

JF235 - MAIN BOOM



[m] [kg]

JF235 - JIB

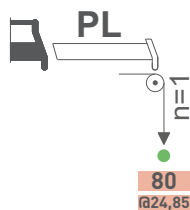
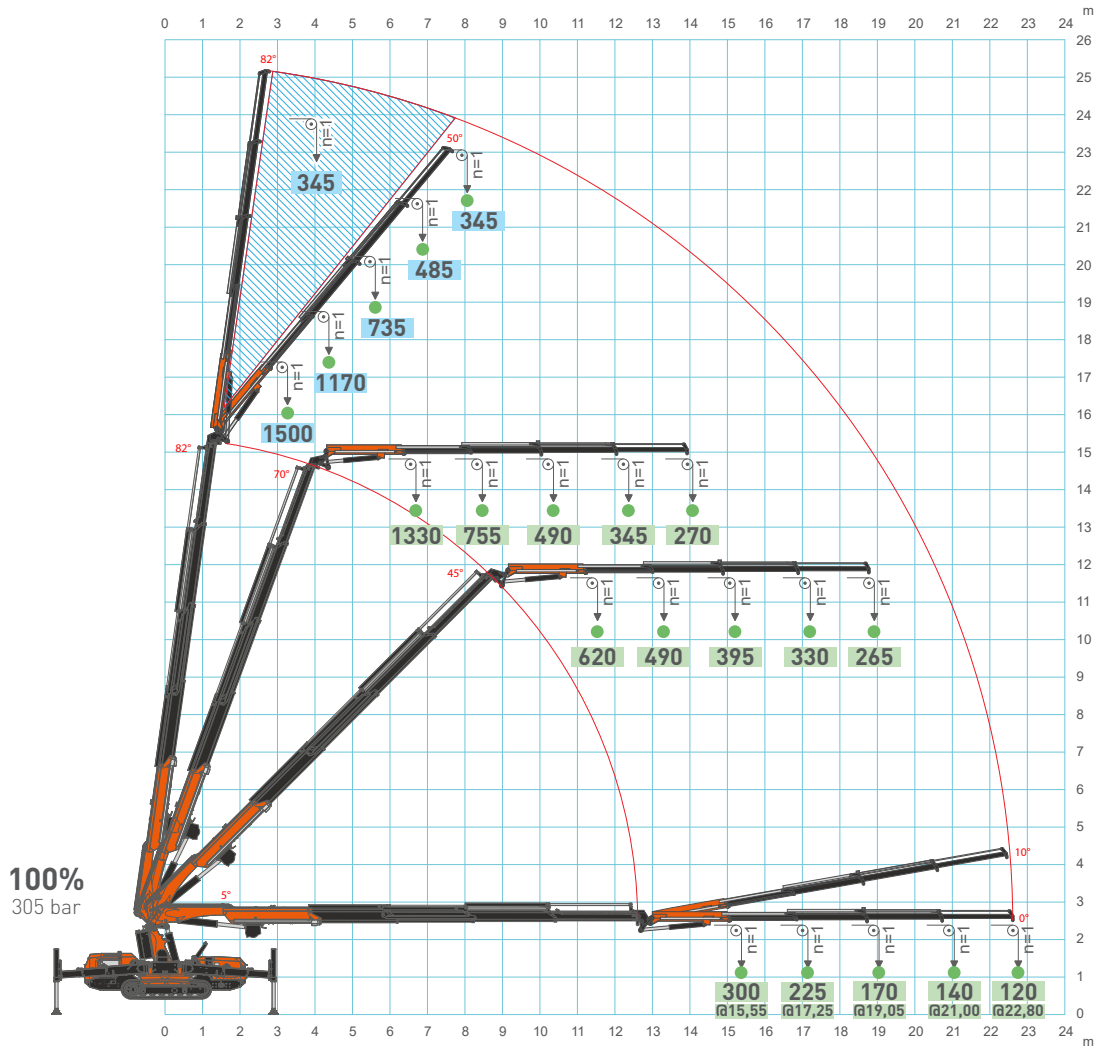


80% 264 bar



[m] [kg]

JF235 - JIB



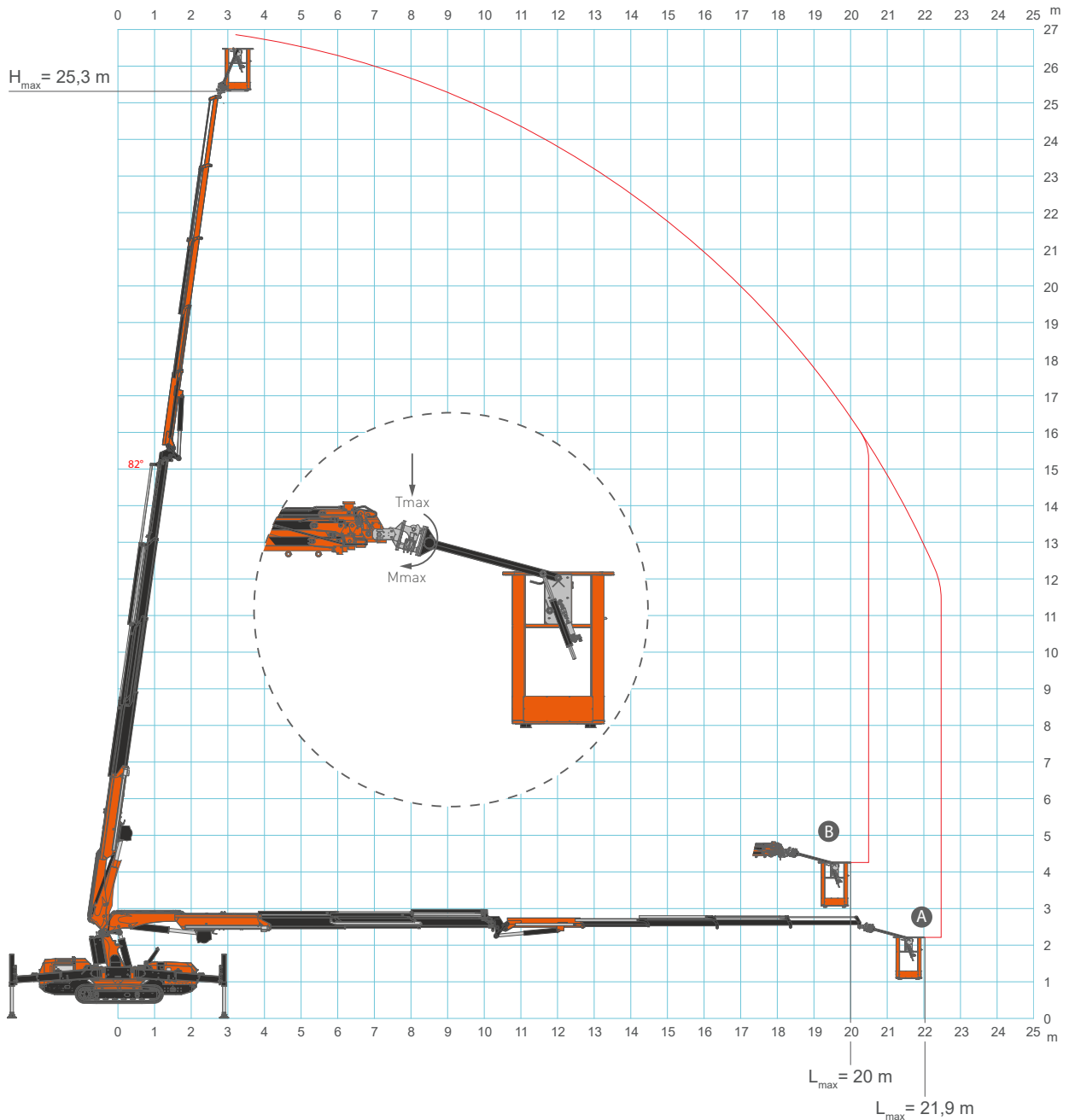
[m] [kg]

JF235 Iron working platform

JF235 - PLE



V15

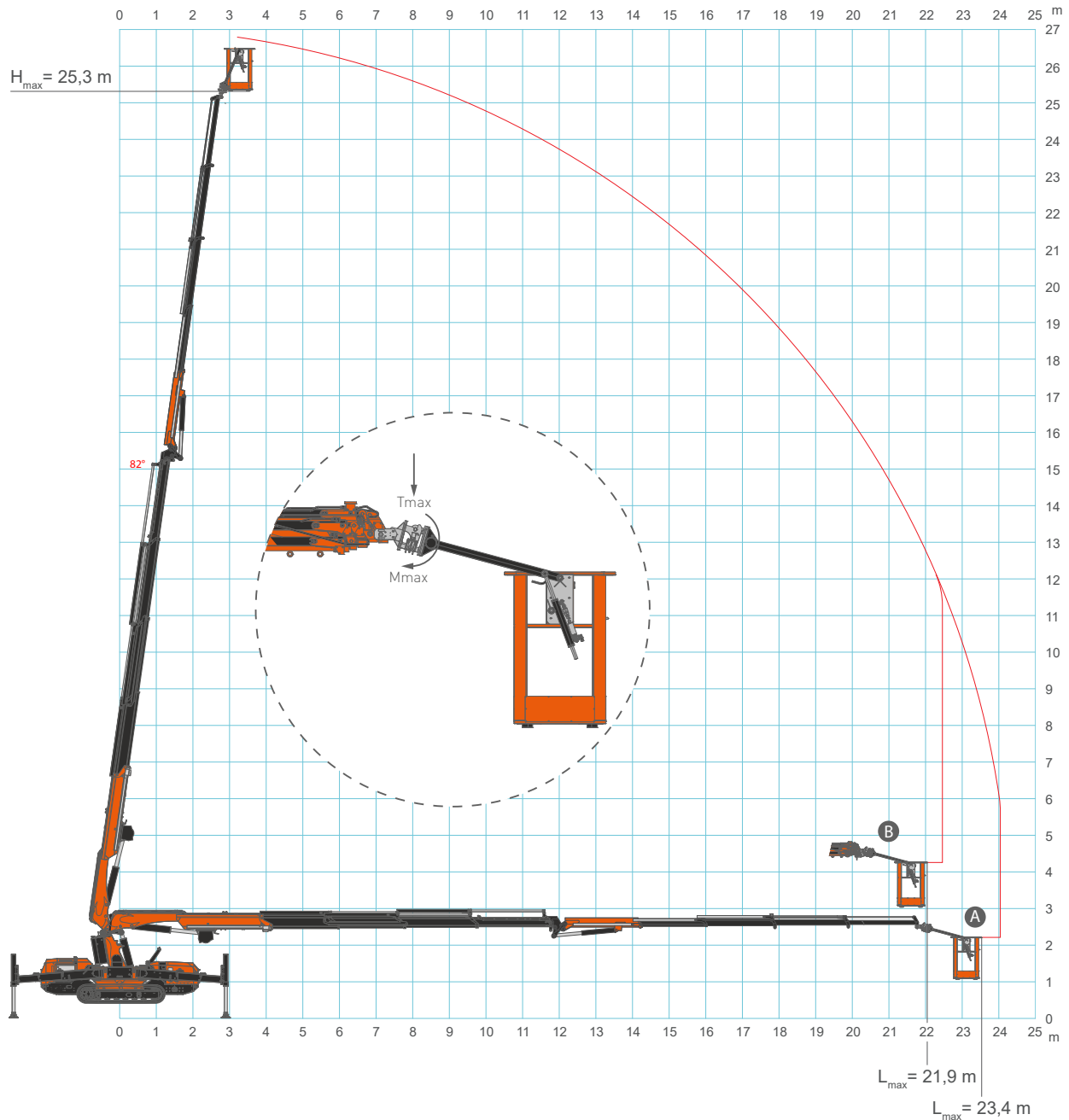


A	PLE	MWP-1PG.JIB2500.4HA	P_{max}	120 kg
B		MWP-2PG.JIB2500.4HA	P_{max}	200 kg

*: The crane is equipped with LMI. The maximum reachable distance may vary by about 1m.

** : The maximum reachable distance can be reached by extending the JIB first and then extending the boom.

JF235 - PLE



A	PLE	MWP-1PG.JIB2500.4HA	P_{max}	120 kg
B		MWP-2PG.JIB2500.4HA	P_{max}	200 kg

*: La gru è dotata di LMI. Lo sbraccio massimo potrebbe variare di circa 1m.

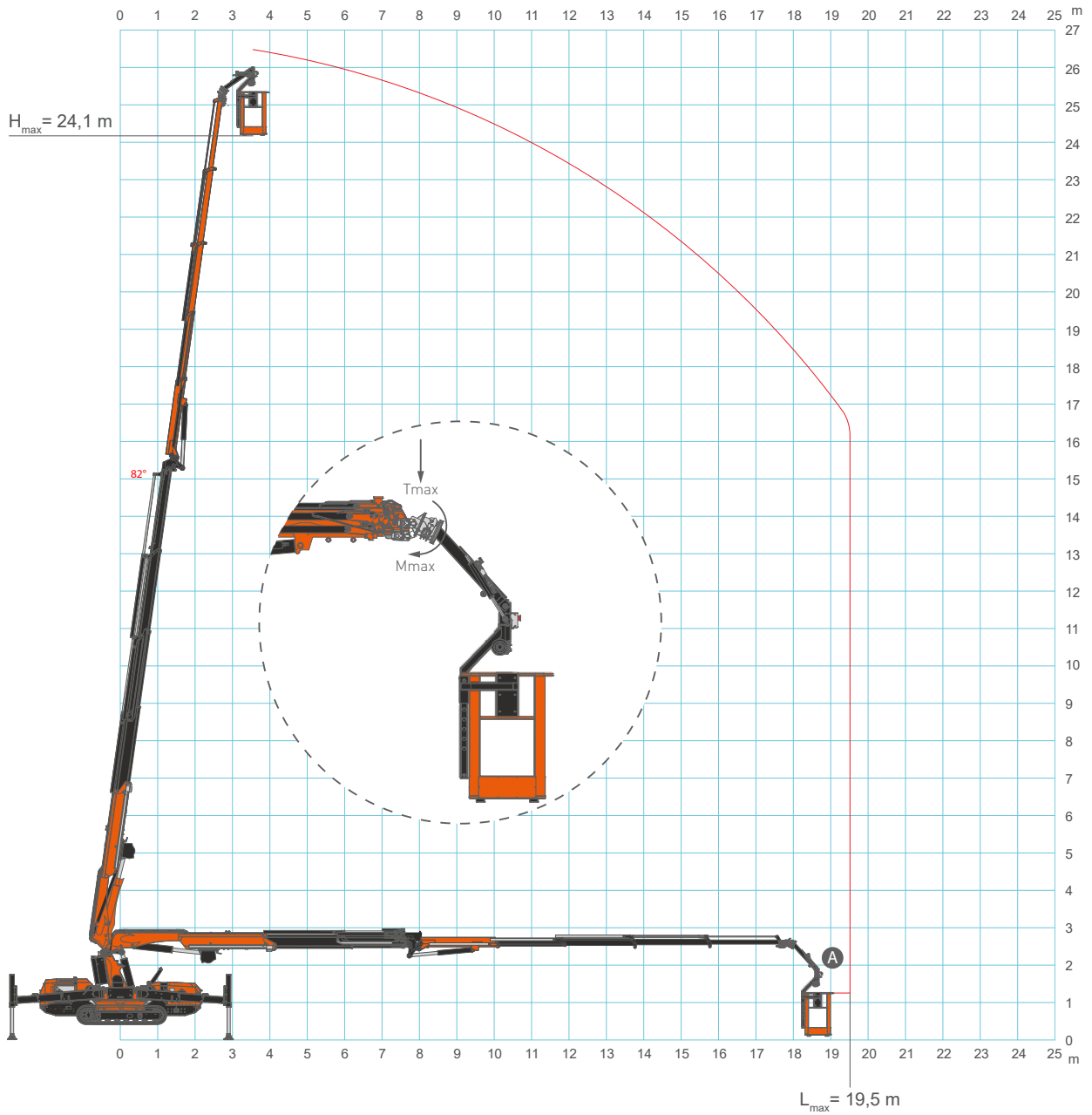
** : Lo sbraccio massimo viene raggiunto sfilando prima con il jib e poi con il braccio principale.

JF235 Aluminum working platform

JF235 - PLE



V15

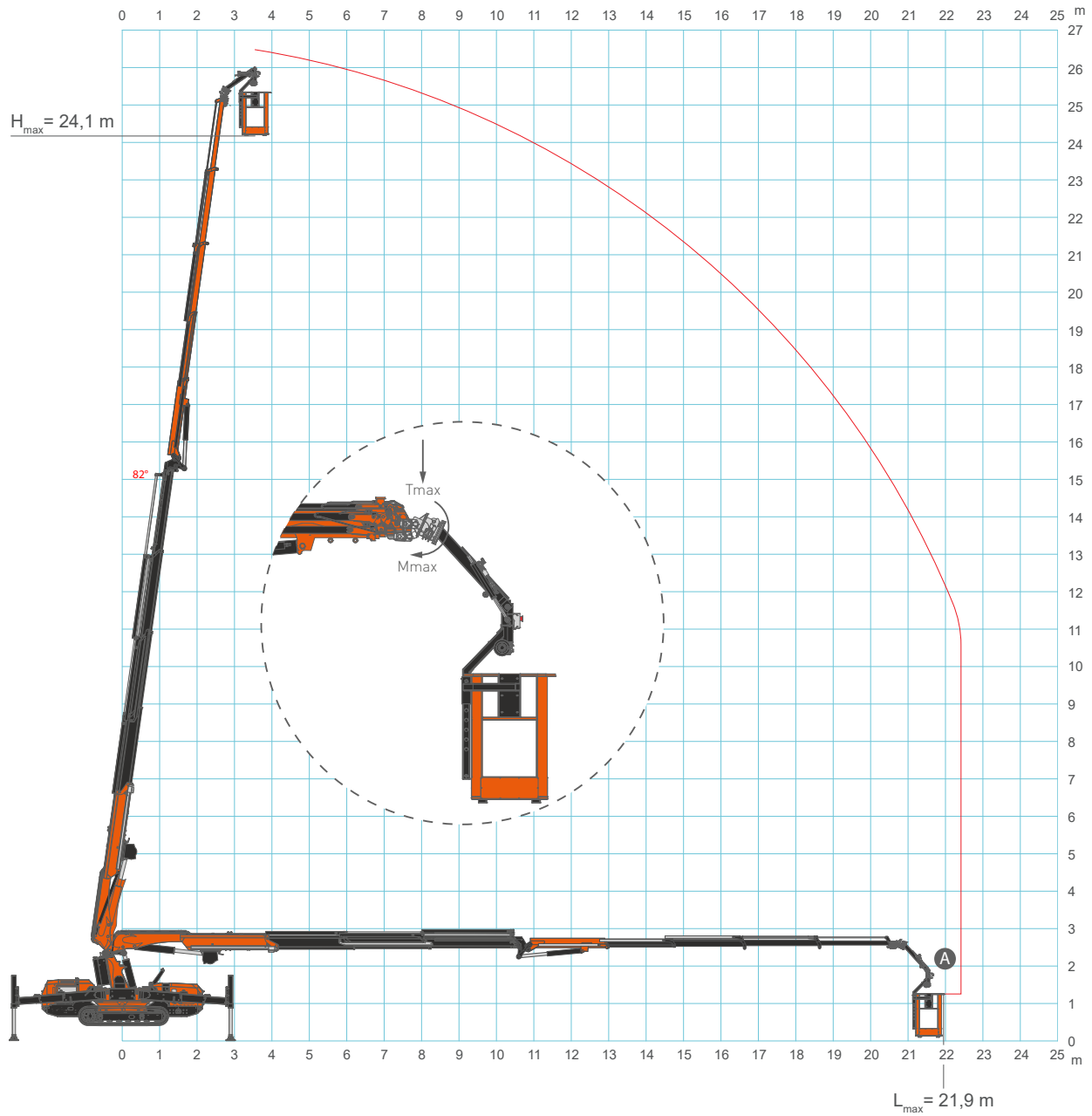


A	PLE	MWP-2PGR.JIB2500.4HA	With activation	P_{max}	200 kg
----------	-----	----------------------	-----------------	-----------	--------

*: La gru è dotata di LMI. Lo sbraccio massimo potrebbe variare di circa 1m.

** : Lo sbraccio massimo viene raggiunto sfilando prima con il jib e poi con il braccio principale.

JF235 - PLE



A	PLE	MWP-2PGR.JIB2500.4HA	Without activation	P_{max}	200 kg
----------	-----	----------------------	--------------------	-----------	--------

*: La gru è dotata di LMI. Lo sbraccio massimo potrebbe variare di circa 1m.

** : Lo sbraccio massimo viene raggiunto sfilando prima con il jib e poi con il braccio principale.

JF235






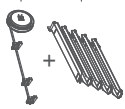
ACCESSORIES

JF235

MAN-BASKET

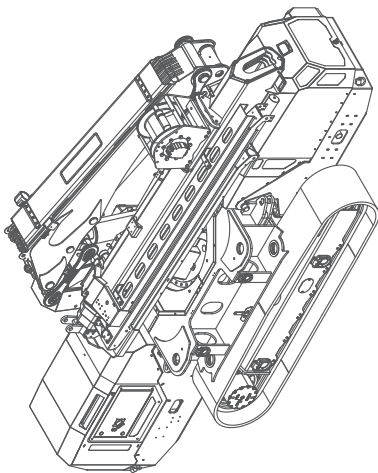
-  MWP-JIB2500.4HA
-  MWP-1PG-JIB2500.4HA
-  MWP-1PGR-JIB2500.4HA
-  MWP-2PG-JIB2500.4HA
-  MWP-2PGR-JIB2500.4HA
-  MWP-CERT

JIB & ATTCHMENTS



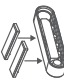
-  JIB2500.4HA
-  PS-JF235
-  MQC-JFS/JFM
MQC-JFS/JFM-2
-  ME1-JIB2500.4HA
-  MEH-JIB2500.4HA
-  HA-JIB2500.4HA

CRANE OPTIONS

-  W1500-JFS
-  ME1-JF235.4
-  MEH-JF235.4
-  WA-JFS/JFM
-  HA-JFS/JFM



CRAWLER OPTIONS

-  PP400.13-JFS
-  PP480.13-JFS
-  WTP-JF235






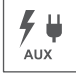




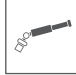
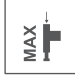




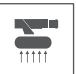







WARRANTY EXTENSION

- 
- 2YW-JF235
- 3YW-JF235

COLOR & STICKERS PERSONALIZATION

- 
 - STANDARD:** RAL2004 RAL9005
 - CUSTOM:** PC1 PC2
- COVERS+ TOOL BOXES**
 - RAL2004 PC3
- OUTRIGGERS**
 - RAL9005 PC4

SYMBOLS

	Weight		Diesel Engine		Boom Angle		Outriggers mats
	Crane		Power Pack		Boom Length		Hydraulic oil
	Gradeability		Slewing		Jib		Outrigger Load
	Travel Speed		Electric Engine		Hookblock		Working Temperature
	Track Load		Maximum Capacity		Low marking pads		Main Winch
	Jib Activation		PLE Activation		Person Lifting Equipment		Hook

- Load limited by LMI
- Load to be limited by the operator
- Load to be verified and limited by the operator
- * Max. moment

REMARKS REFERRING TO LOAD CHART

- HC1 HD4 S2 lifting class in hook configuration, whereas HC1 HD1 S2 lifting class in winch configuration, according to EN12999:2020 standards.
- Lifting capacities are given in kilograms.
- Hookblocks, hooks and eventual manual extensions weight is part of the load and therefore must be deducted from lifting capacities.
- Working radius is measured from the column slewing axis.
- Lifting capacities given for the telescopic boom apply if the folding jib is removed.
- Subject to modification of lifting capacities.

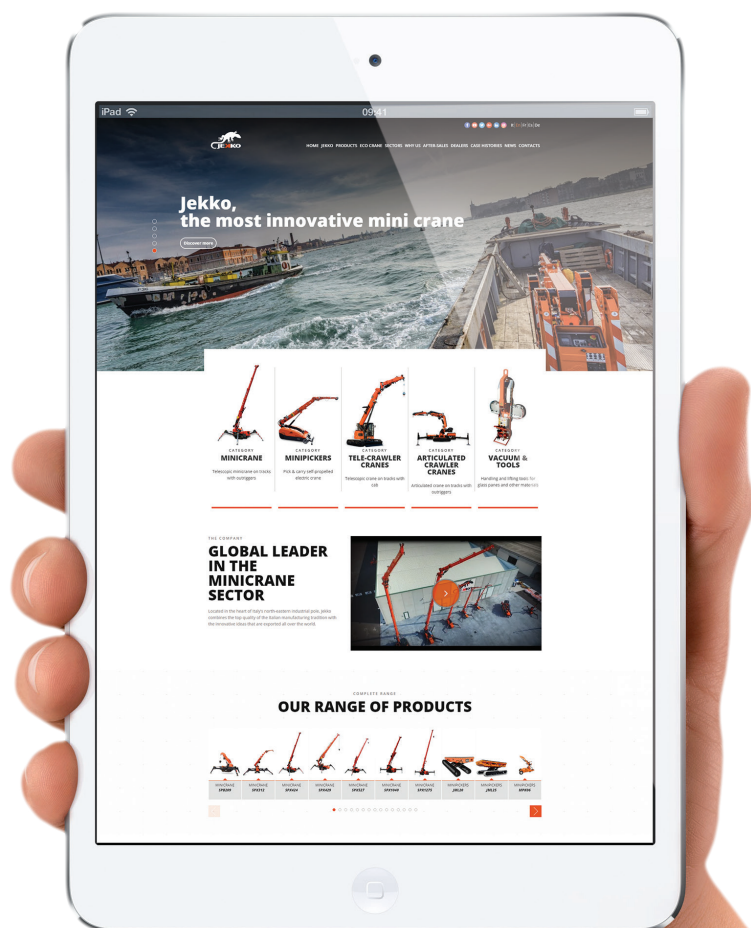
YOUR JEKKO DEALER

EN All specifications and features herein described can be changed without prior advice. All indicated data are indicative only and are not binding as crane performs differently depending on its use. **IT** Tutte le caratteristiche e le specifiche descritte possono essere soggette a variazioni senza preavviso. Tutti i dati riportati sono forniti a puro titolo informativo e non sono impegnativi dal momento che le prestazioni della macchina variano in funzione dell'utilizzo. **DE** Unangekündigte Änderungen sämtlicher Eigenschaften und Daten sind möglich. Alle Angaben sind Richtwerte und nicht verbindlich da die Leistungen der Vorrichtung von deren Einsatz abhängen. **ES** Todas las características y las especificaciones aquí indicadas pueden ser sujetas a variaciones sin aviso. Se dan todos los datos aquí indicados como simples informaciones. No se consideran como vinculantes, dado que las prestaciones del maquinario pueden variar. **FR** Toutes les caractéristiques et le spécifications descriptives peut être sujet à variation sans préavis. Tout les données rapportés sont fournis à titre informatif et ne sont pas engager au moment que la prestation de la machine change en fonction de l'emploi.



www.jekko-cranes.com

Visit jekko-cranes.com to keep in contact with us, discover all the latest news and find out technical details of all our products.





Jekko s.r.l.

Via Campardone, 1 - 31014 Colle Umberto (TV) - Italy
info@jekko.it - www.jekko-cranes.com

06.12.2023 | Rev0.2

SERIAL NUMBER:

