

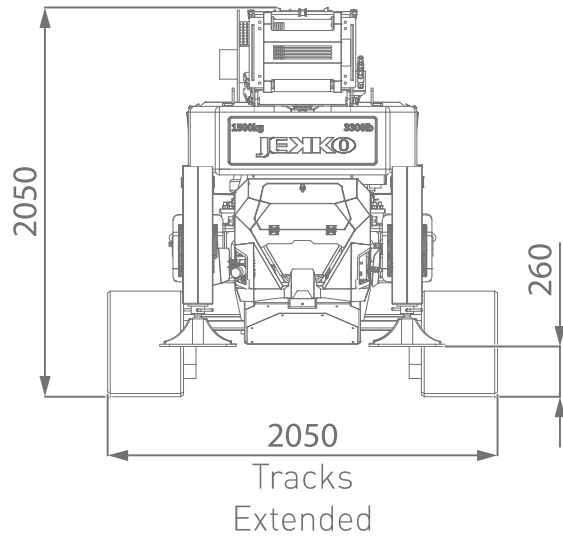
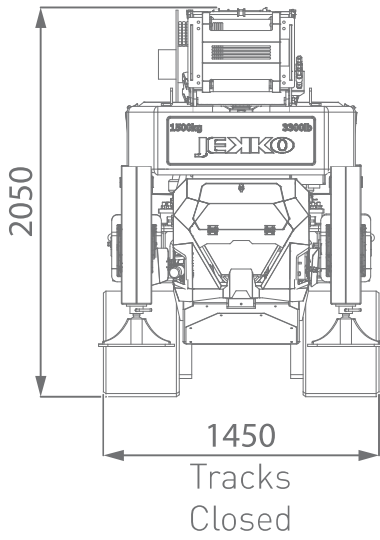
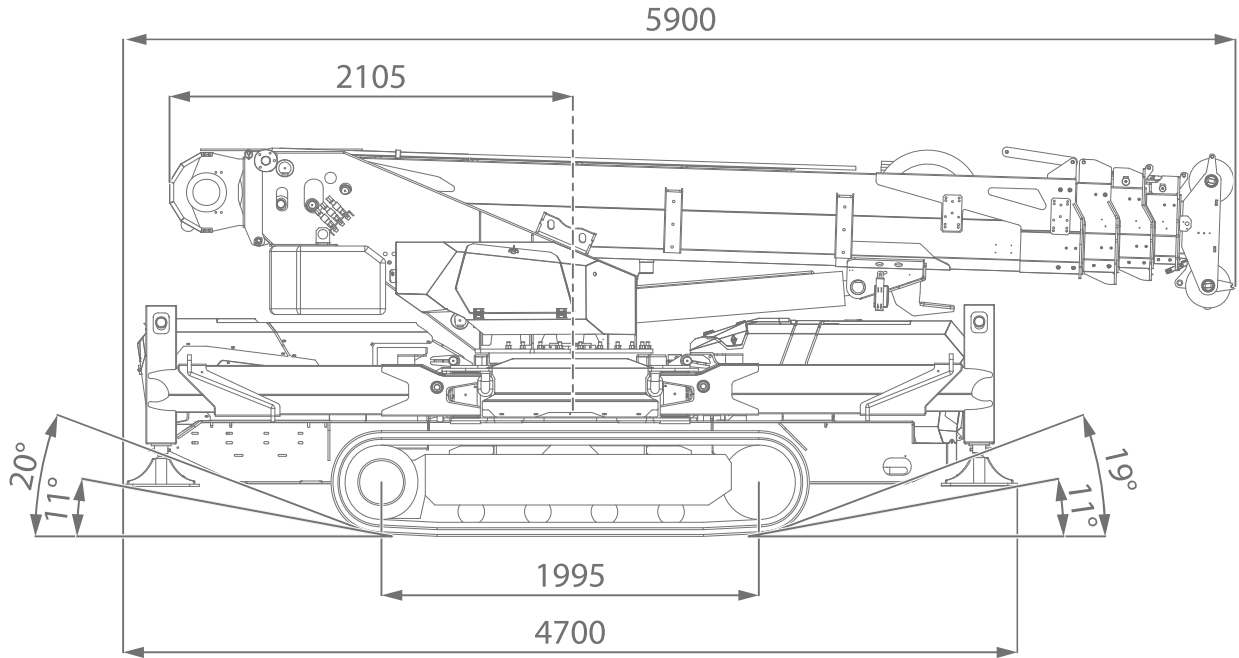


Technical Data

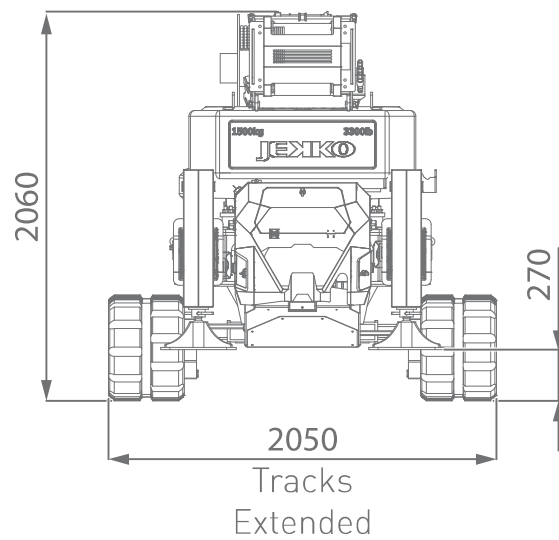
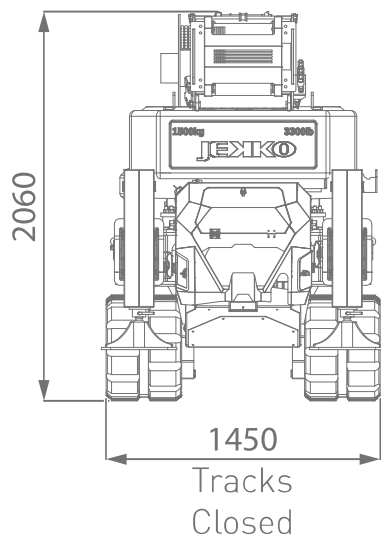
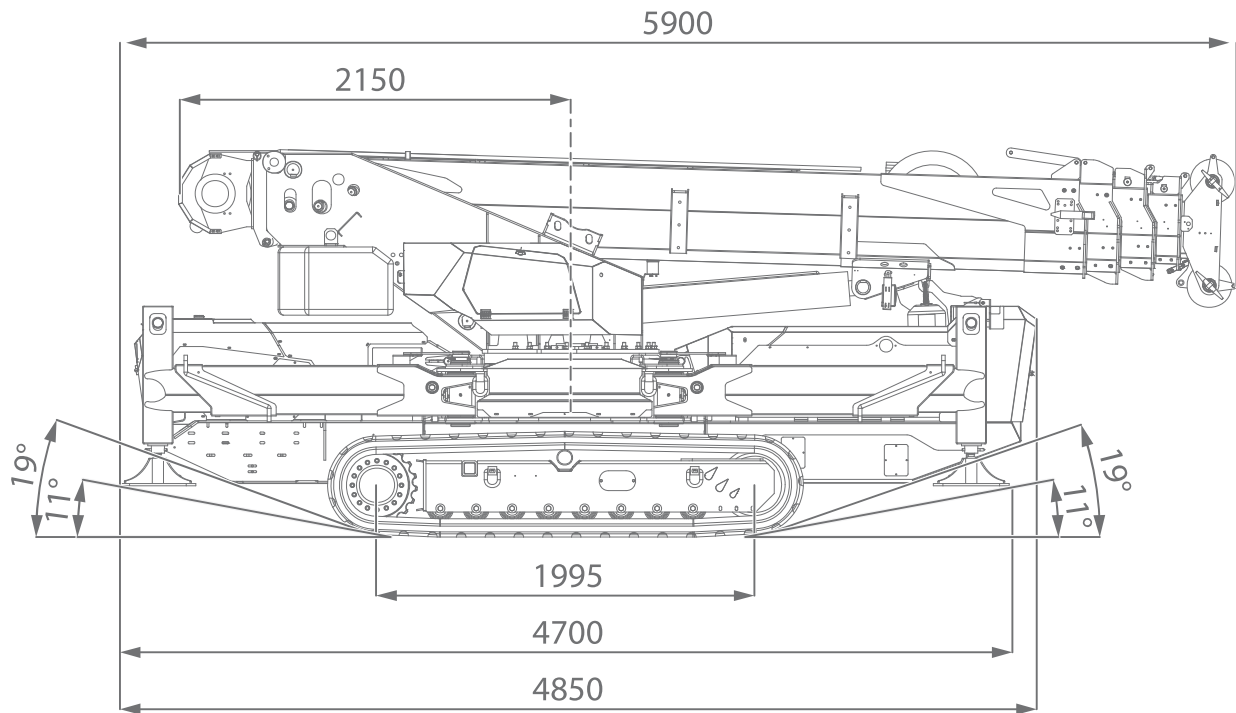
Specification & Capacities

SPX1280

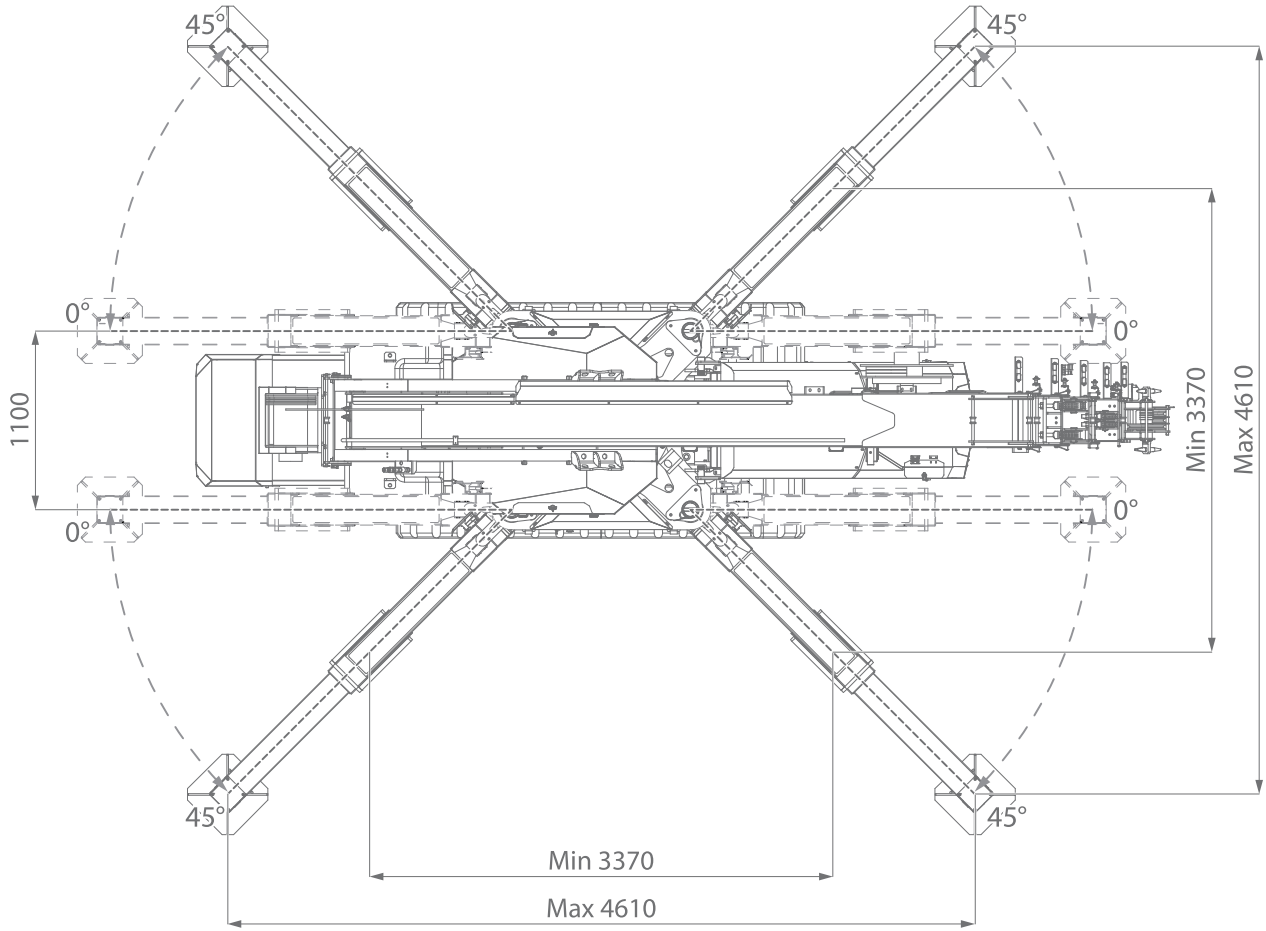
OVERALL DIMENSIONS SPX1280CDH



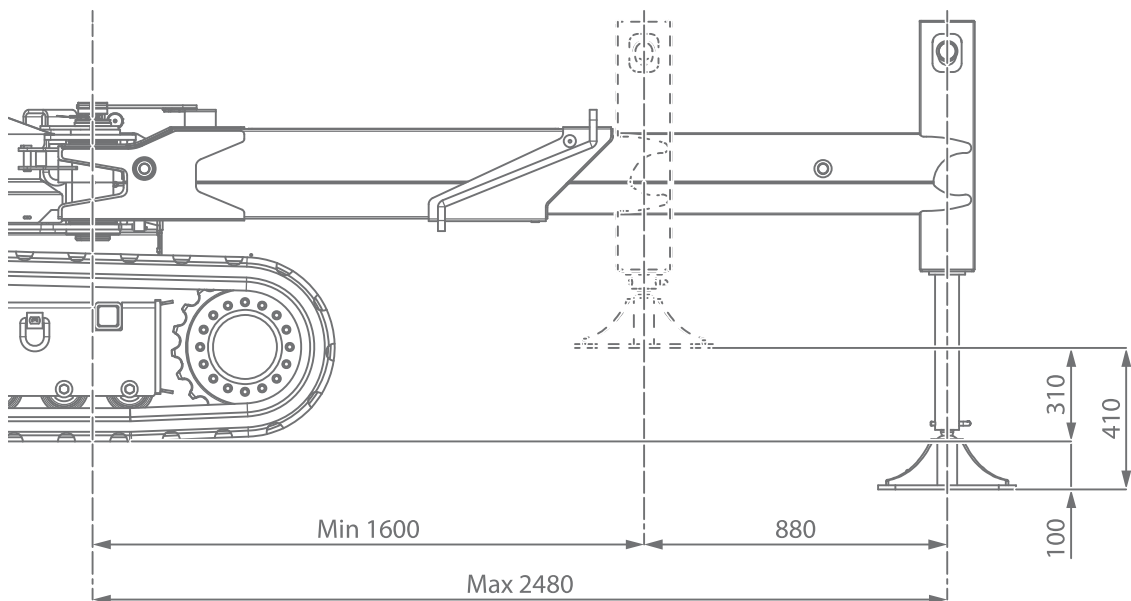
OVERALL DIMENSIONS SPX1280CL3



OVERALL DIMENSIONS STABILITY DIMENSIONS

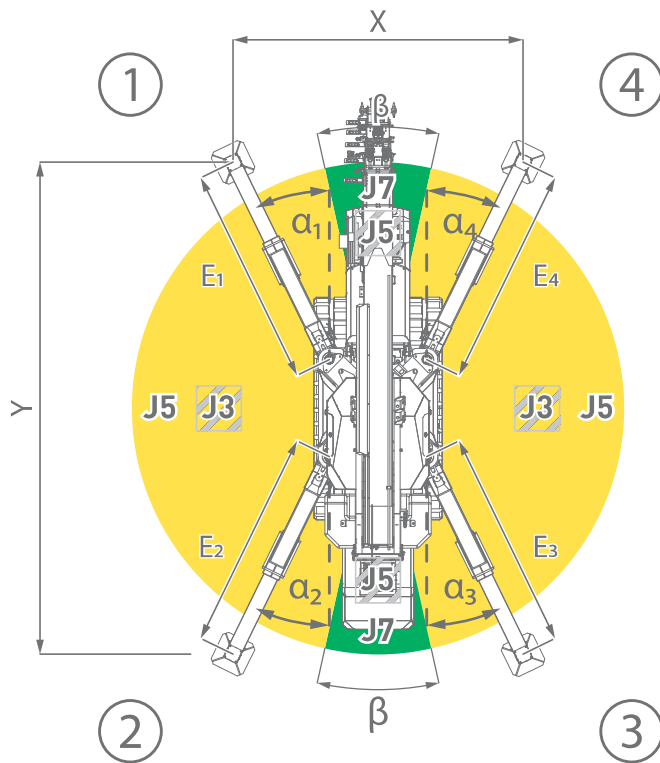


OVERALL DIMENSIONS

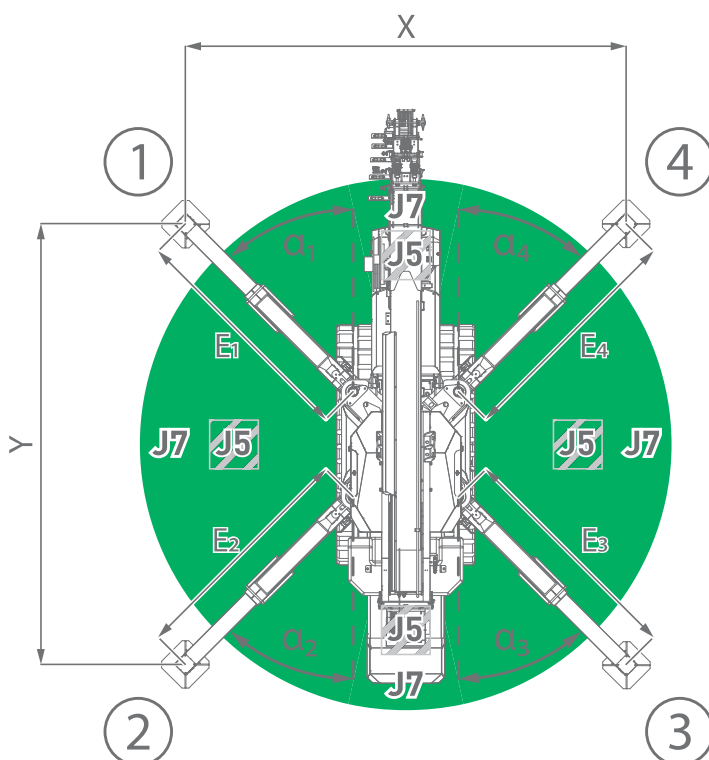


CRANE PERFORMANCE

STABILITY EXAMPLES

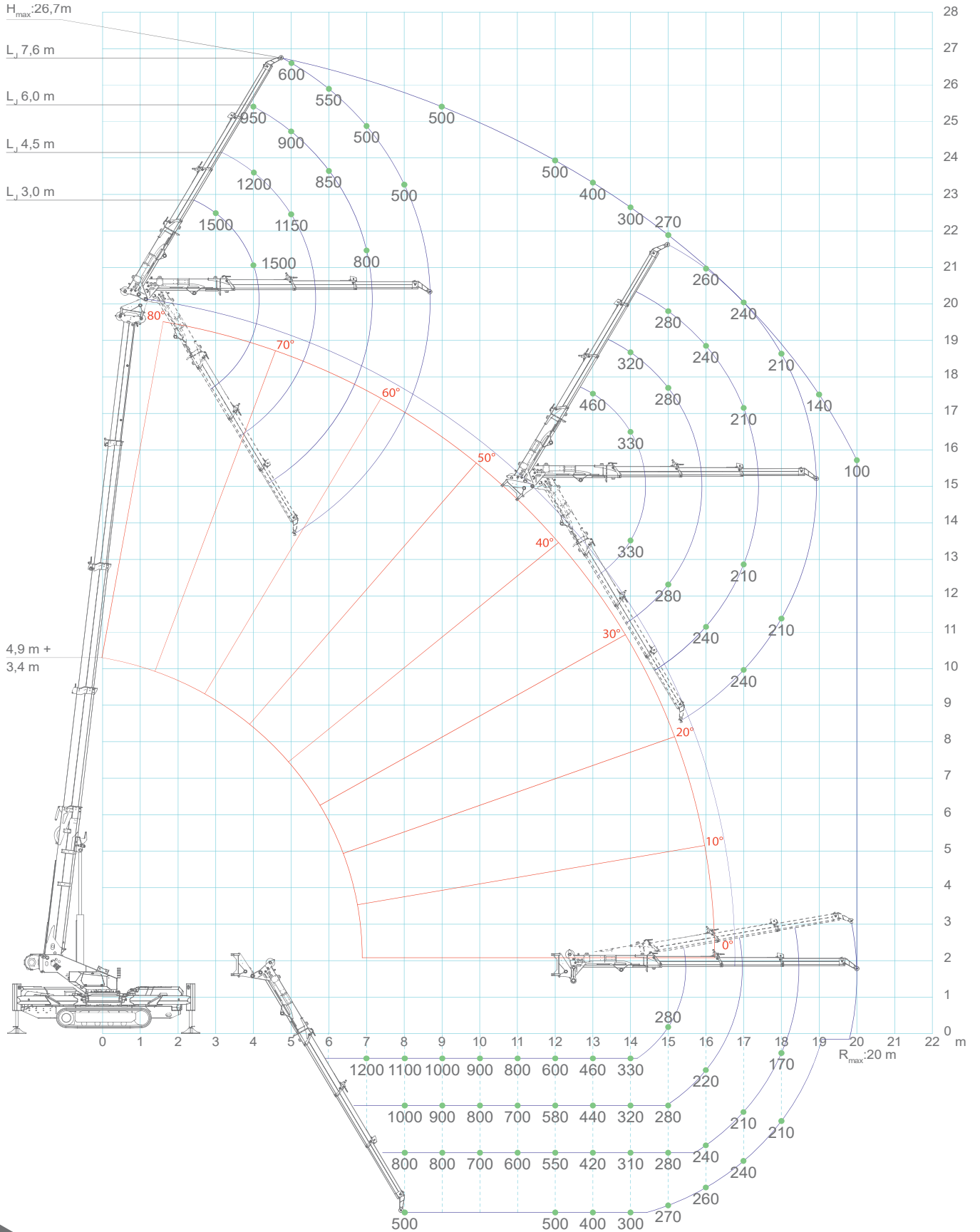


FULL SYMMETRIC STABILITY			
FOOTPRINT DIMENSIONS		Main Boom	with Jib H
	X		3,3 m
Y		5,5 m	5,3 m
OUTRIGGERS ANGLES	α_1	26°	32°
	α_2	26°	32°
	α_3	26°	32°
	α_4	26°	32°
OUTRIGGERS EXTENSIONS	E_1	2,5 m	
	E_2	2,5 m	
	E_3	2,5 m	
	E_4	2,5 m	
J7	β	25°	40°



FULL SYMMETRIC STABILITY			
FOOTPRINT DIMENSIONS		Main Boom	with Jib H
	X		4,6 m
Y		4,6 m	
OUTRIGGERS ANGLES	α_1	45°	
	α_2	45°	
	α_3	45°	
	α_4	45°	
OUTRIGGERS EXTENSIONS	E_1	2,5 m	
	E_2	2,5 m	
	E_3	2,5 m	
	E_4	2,5 m	

SPX1280 - JIB1502.3HX



SPX1280 - JIB1502.1FL

