



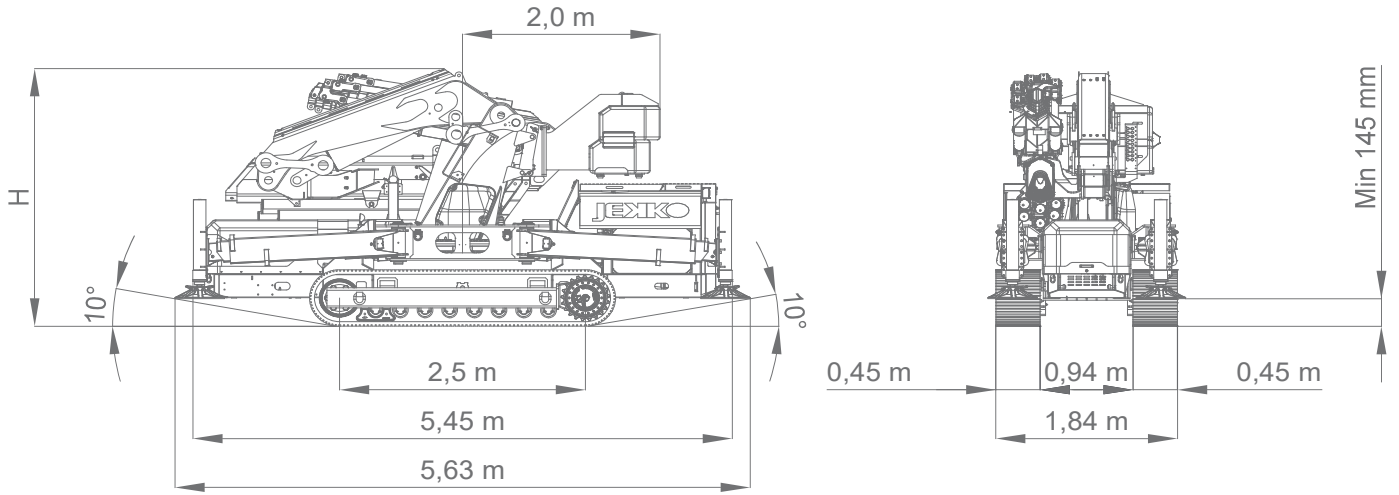
Technical Data

Specification & Capacities

JF545

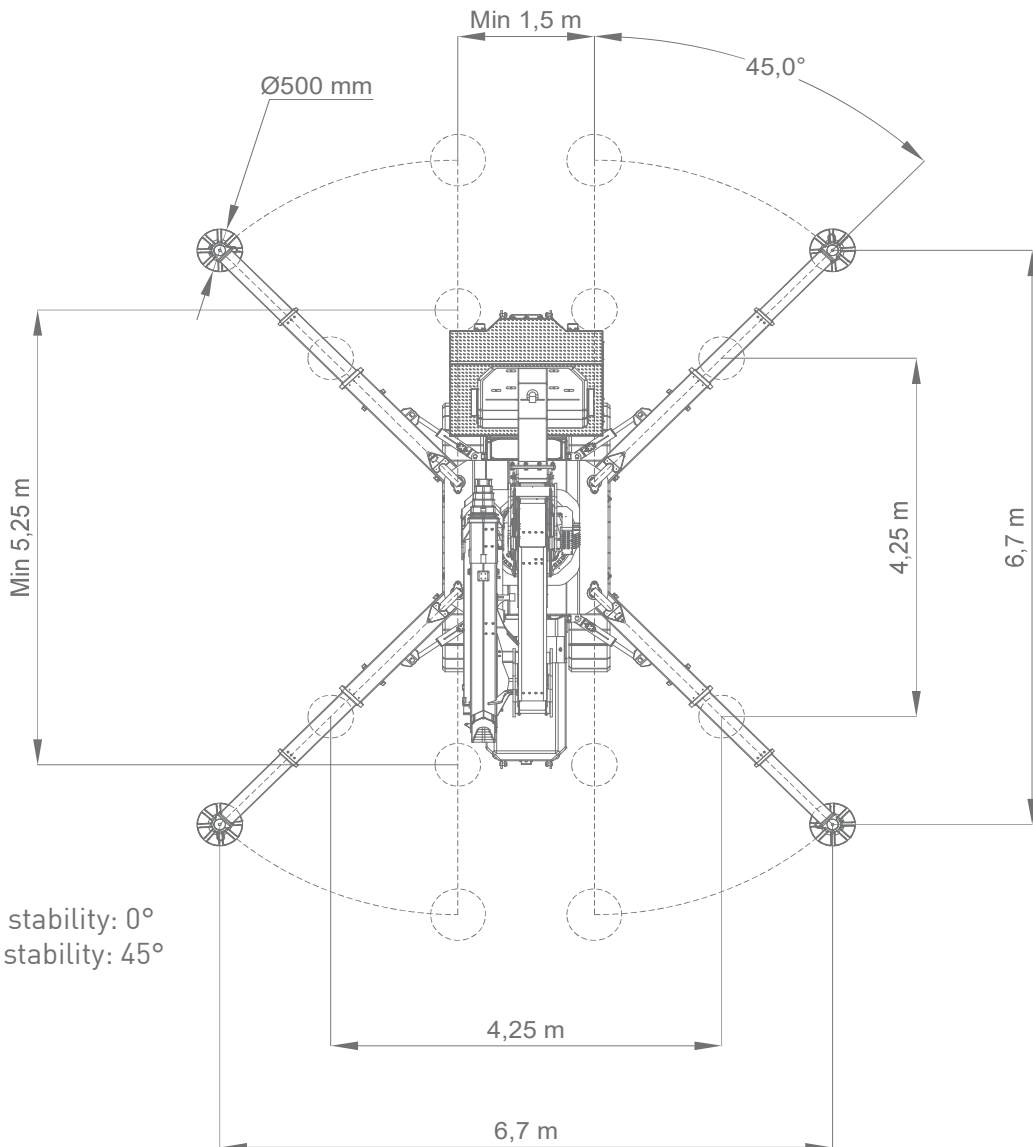
OVERALL DIMENSIONS

(with jib and low marking pads)



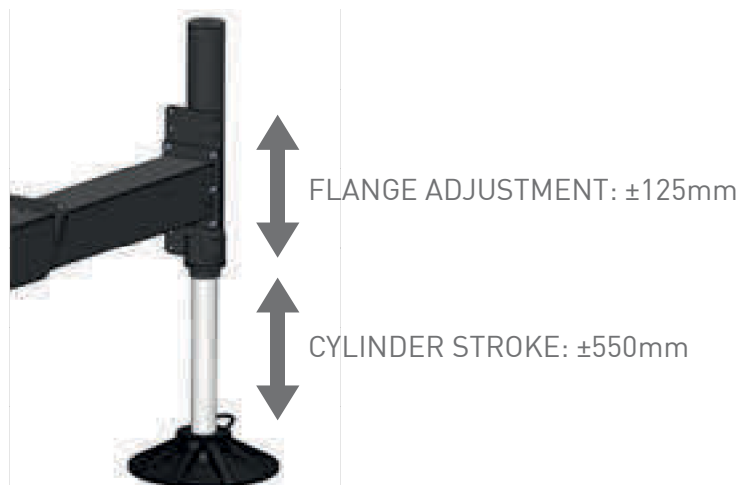
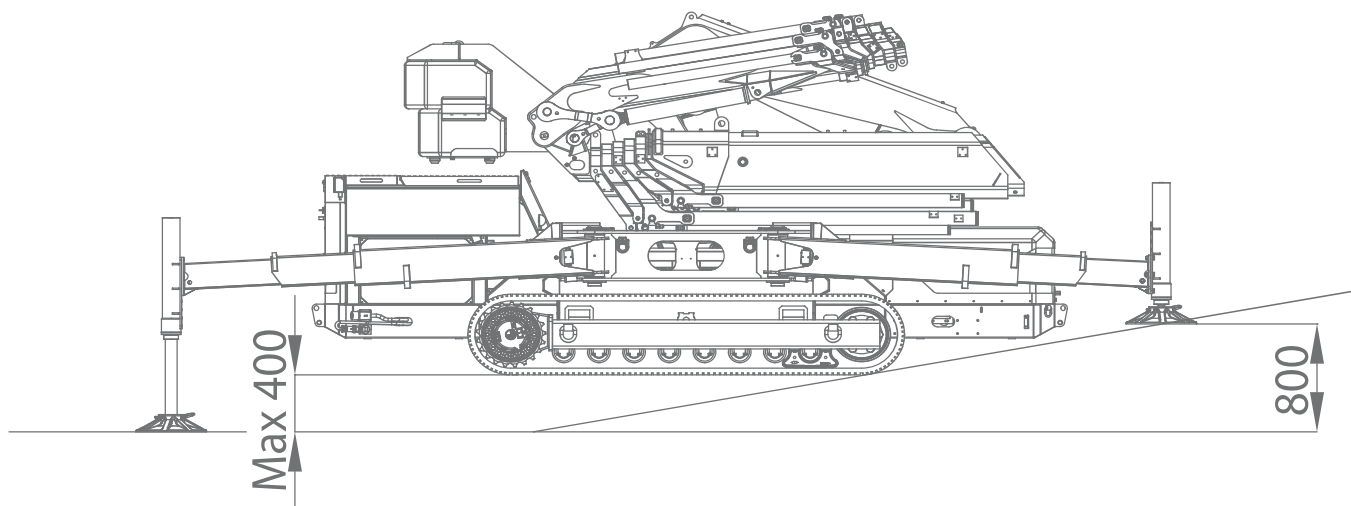
H=2,83 m with V20 winch / H=2,90 m with V30 winch

STABILIZATION AREA





















Min angle stability: 0°
Max angle stability: 45°

STABILIZATION ADJUSTMENT



OVERALL INFORMATIONS

		Name/ version	kg*
WEIGHT	 Crane	ALL	13500
	 Counterweight	ALL	3500
	 Winch	W2000-JFM	200
		W3000-JFM	200
	 Hookblock	SINGLE FALL	47
		DOUBLE FALL	58
		TRIPLE FALL	57
		JIB SINGLE FALL	75
	 Power Pack	3-PHASE POWERPACK	80
		L426	1200
	 Jib	MEH-545.6	90
		ME1-545.6	95
		MEH-JIB3000.6HA	23
		ME1-JIB3000.6HA	36
Low marking pads		WTP-JFM	300 (3,25 x 92)
 Outriggers mats	OM500	30	

ENGINE	 Engine	KUBOTA V3307-CR-TE4B	
	KW Power	55,4kW 74HP	
	 Fuel	DIESEL	
	 Tank	L	75
ELECTRIC	KW Power	400V-3F 13kW 17,4HP	
HYDRAULIC	 Hydraulic Oil	ISO 6743-4:HVLP with VG46 viscosity class	
		Working temp	<70°C
		L	200
MOVEMENTS	 Travel Speed	km/h	1 / 2
	 Gradeability	20° (36%) [†]	
	 Track Load	kg/cm ²	0,85
	 Outrigger Load	kg	11250 [‡]
	 Working Angle	0°/80°	
		s	Primary: 37 Secondary: 47
	 Slewing	360°	
		rpm	0,67
 Boom Telescoping	m	18,3	
	s	42 [§]	

OIL COOLER	Weight	kg	16*
	Voltage	V	12
	Working Temperature	°C	-20 / +40
	Working Pressure	bar	16 / 21
	Fluid Flow	L/min	180

*: Dry weight

†: Engine working limit

‡: Static lifting

§: Timing without load, fully stabilised and without XP

JF545 - JIB3000.6HA

HOOK and FULL COUNTERWEIGHT installed

