

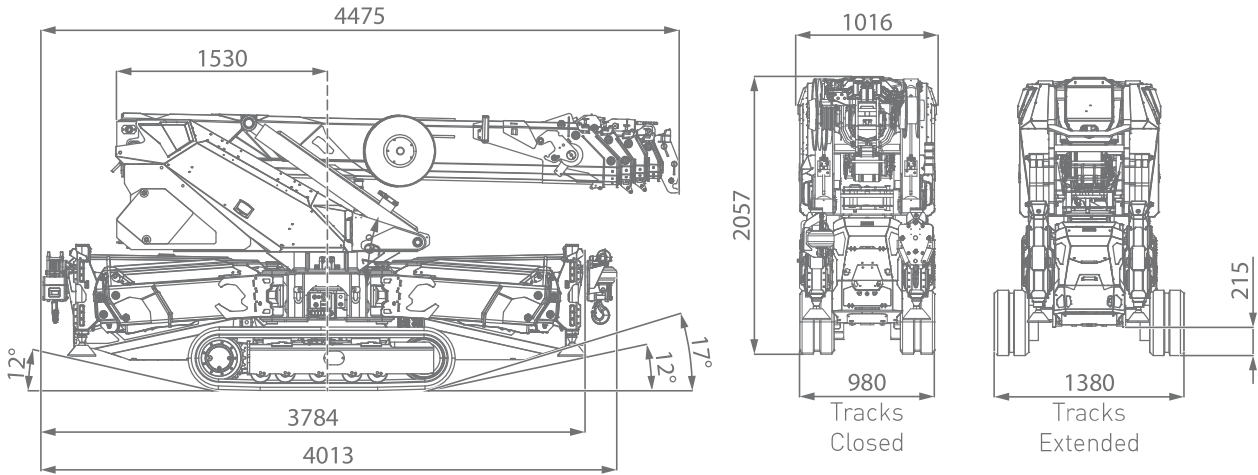


# Technical Data

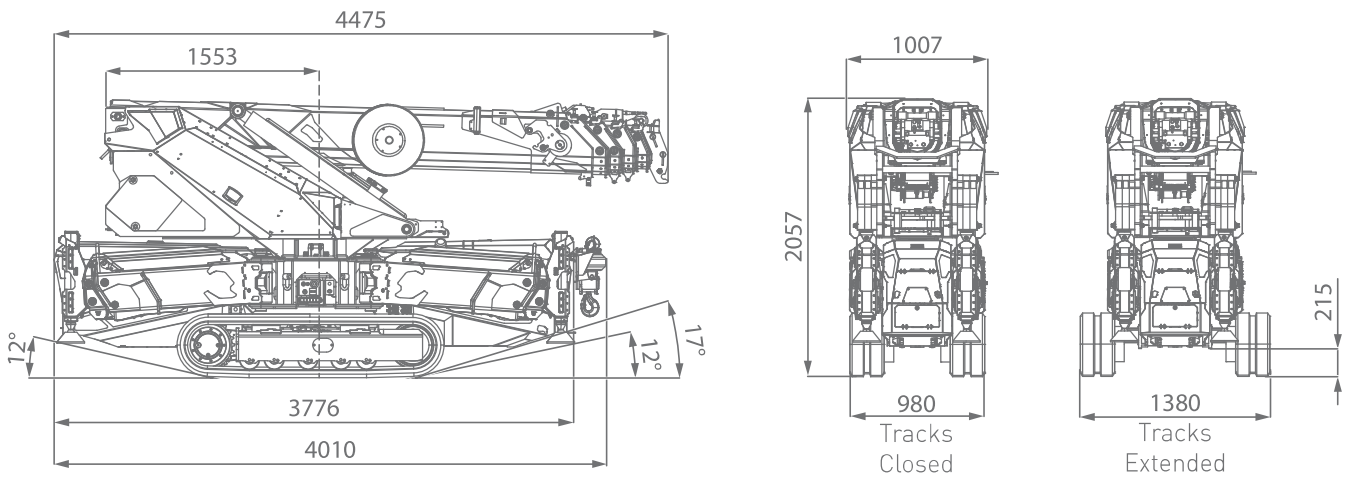
Specification & Capacities

# SPX650

## OVERALL DIMENSIONS SPX650CL-2



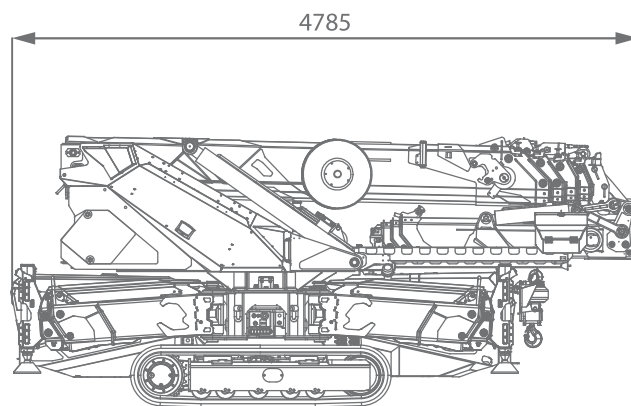
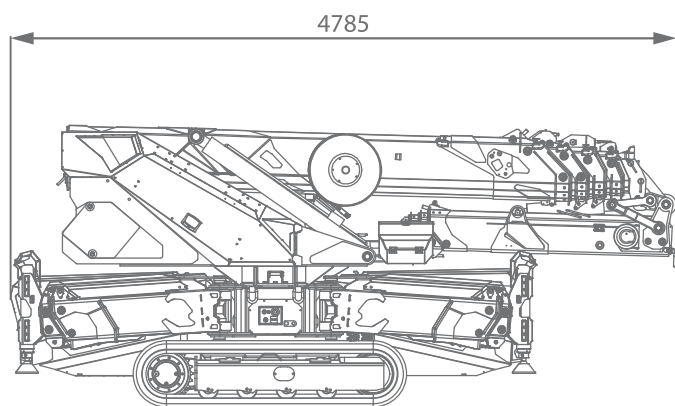
## OVERALL DIMENSIONS SPX650CDH



## JIB MOUNTED ON MAIN BOOM

**SPX650CL-2**

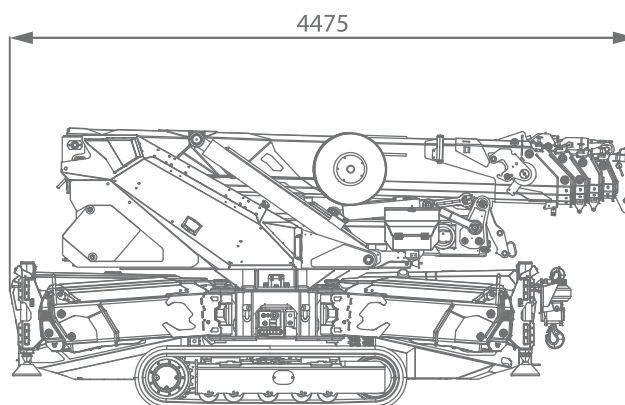
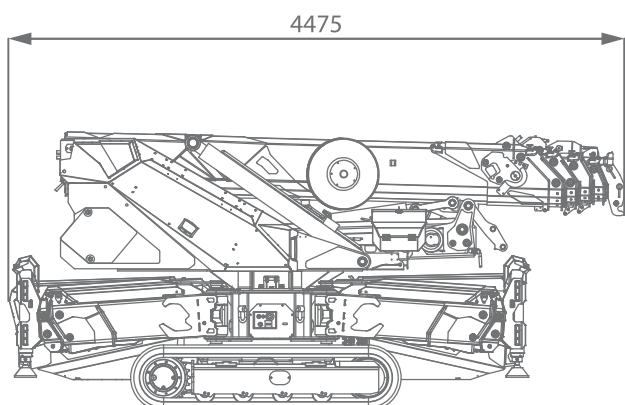
**SPX650CDH**



## JIB STOWED ON THE COLUMN

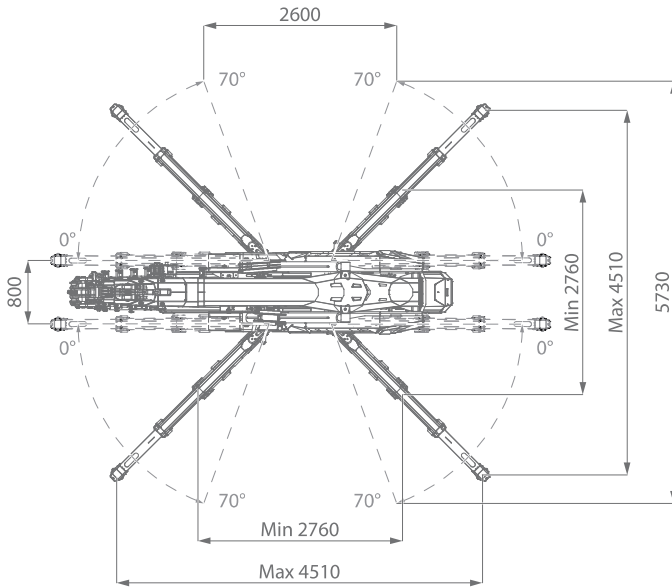
**SPX650CL-2**

**SPX650CDH**

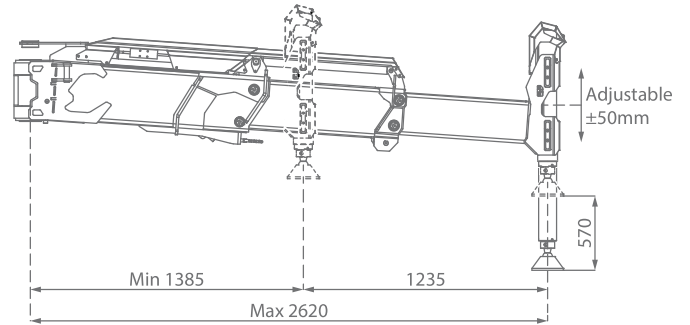


# SPX650

## OVERALL DIMENSIONS STABILITY DIMENSIONS



## OVERALL DIMENSIONS JIB TILTING PULLEY HEAD



## CRANE PERFORMANCE

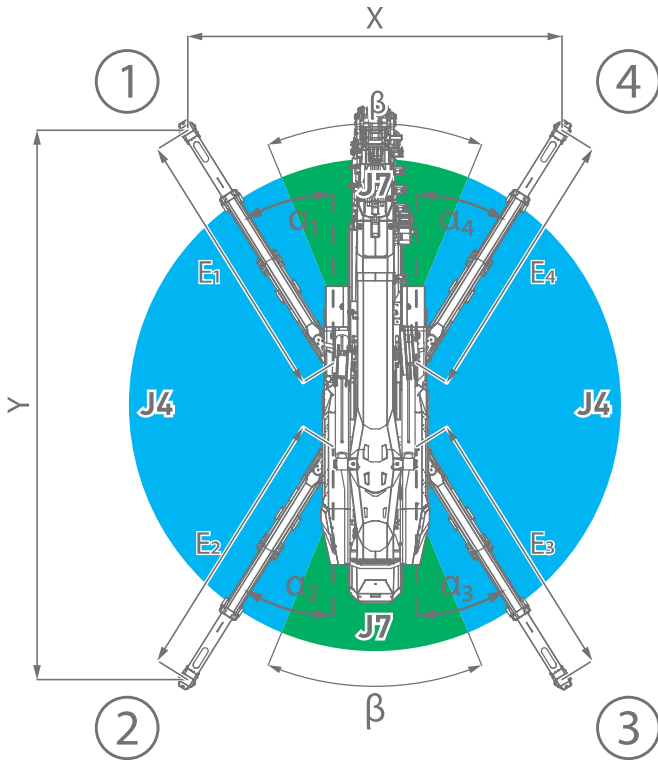
	d = 1,10m	d = 1,35m	d = 1,67m	d = 1,85m	d = 2,25m	d = 2,60m
CRANE PERFORMANCE						J7
					J6	
				J5		
			J4			
		J3				
		J2				
J1 - PICK & CARRY						
J0 - No LIFTING CAPACITY						
STABILITY AREA						

J: Stability level with J7 being the maximum and J2 the minimum, J1 is Pick&Carry only and J0 has no lifting capacity.

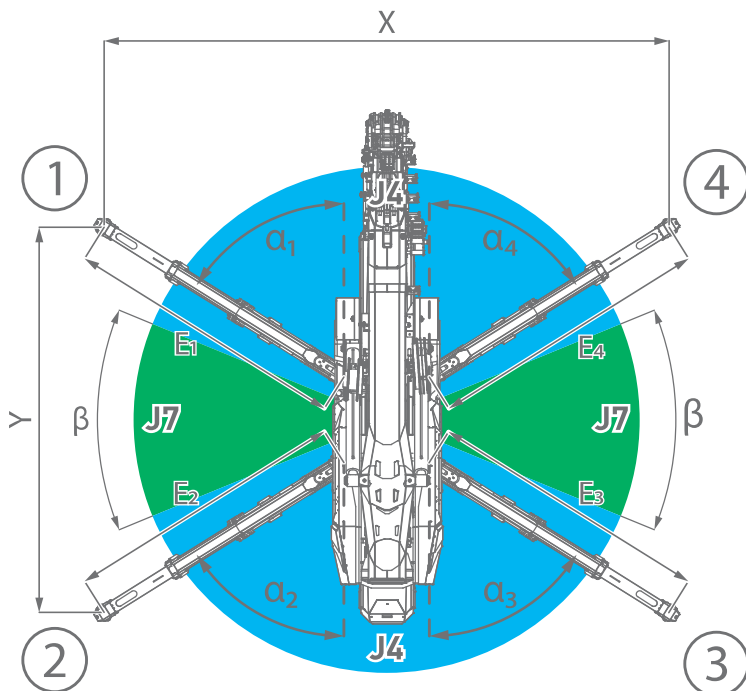
d: Perpendicular distance between the overturning line and the center of rotation.

## CRANE PERFORMANCE

### STABILITY EXAMPLES

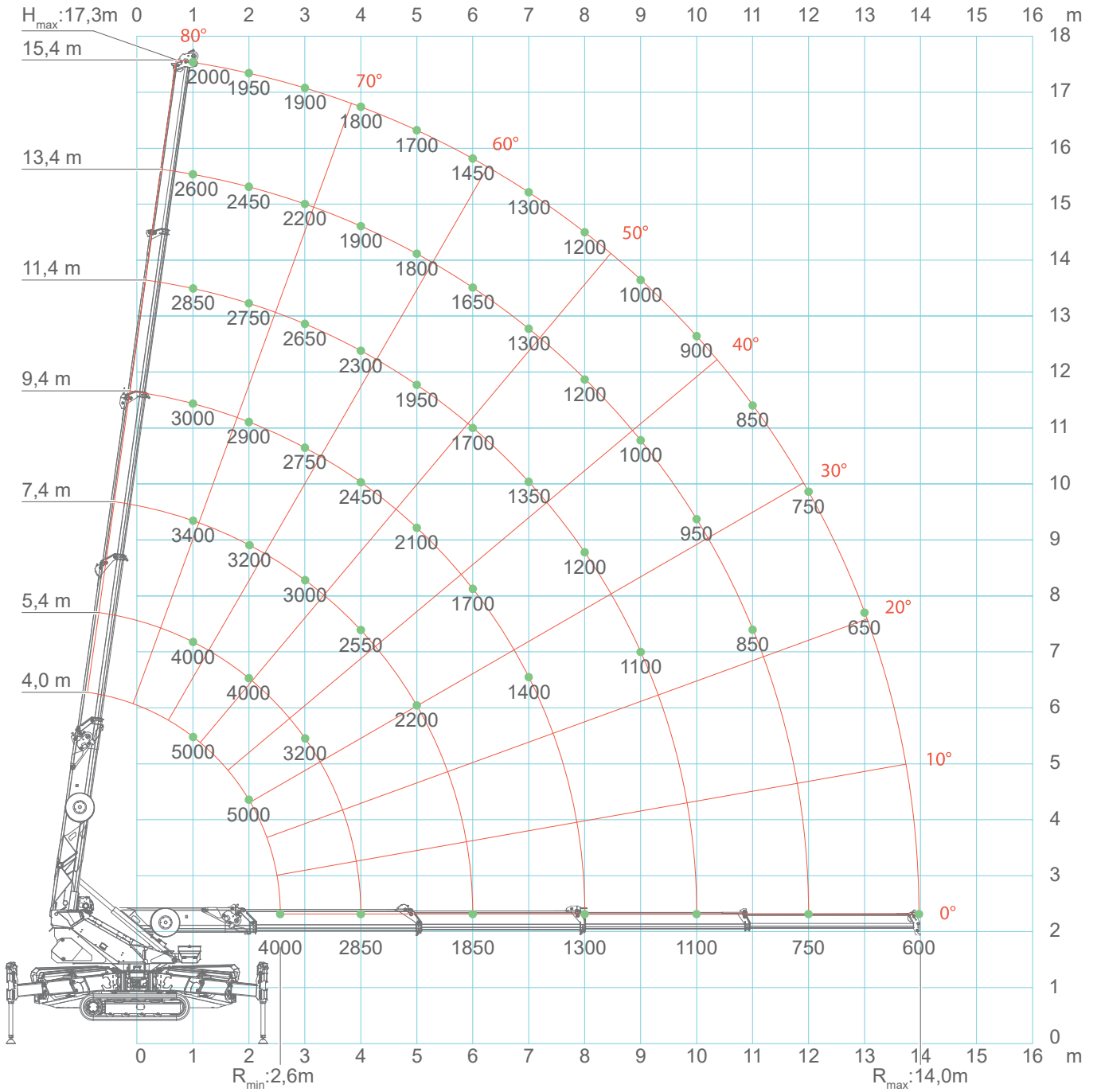


FULL SYMMETRIC STABILITY		
	Main Boom	with Jib
FOOTPRINT DIMENSIONS	X	3,6 m
	Y	5,2 m
OUTRIGGERS ANGLES	$\alpha_1$	32°
	$\alpha_2$	32°
	$\alpha_3$	32°
	$\alpha_4$	32°
OUTRIGGERS EXTENSIONS	E <sub>1</sub>	2,6 m
	E <sub>2</sub>	2,6 m
	E <sub>3</sub>	2,6 m
	E <sub>4</sub>	2,6 m
J7	$\beta$	44°

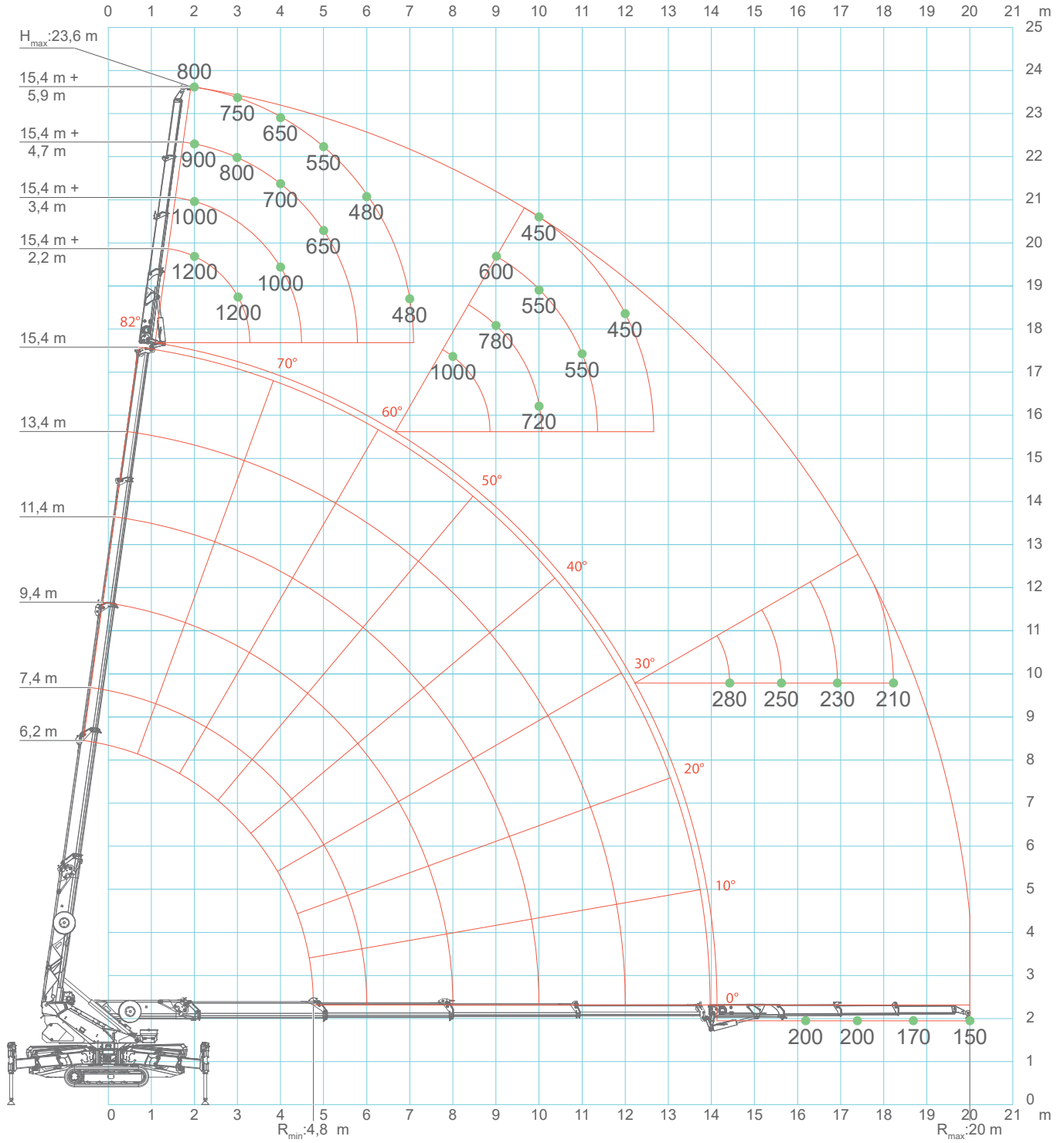


FULL SYMMETRIC STABILITY		
	Main Boom	with Jib
FOOTPRINT DIMENSIONS	X	5,2 m
	Y	3,6 m
OUTRIGGERS ANGLES	$\alpha_1$	58°
	$\alpha_2$	58°
	$\alpha_3$	58°
	$\alpha_4$	58°
OUTRIGGERS EXTENSIONS	E <sub>1</sub>	2,6 m
	E <sub>2</sub>	2,6 m
	E <sub>3</sub>	2,6 m
	E <sub>4</sub>	2,6 m
J7	$\beta$	44°

## SPX650 - MAIN BOOM



## SPX650 - JIB1200.3HX



# SPX650 - JIB1200.3HX

J6

